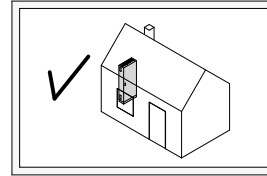
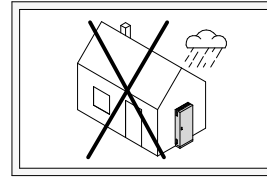


DL



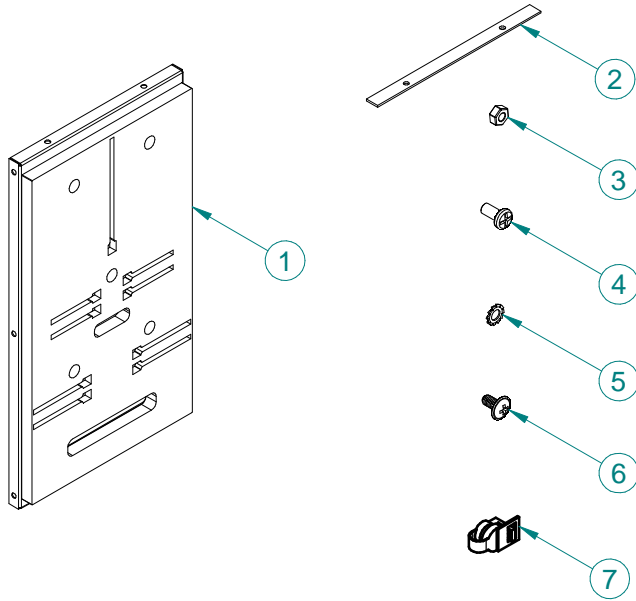
- (GB) Mounting instructions
- (DE) Montageanleitung
- (SI) Navodilo za montažo
- (PL) Instrukcje montażu
- (HR) Upute za montažu
- (CZ) Montážní návod
- (SK) Navod na montáž
- (HU) Szereles utmutató
- (LT) Montavimo instrukcija
- (RU) Инструкция за монтаж
- (LV) Montāžas instrukcija
- (EST) Paigaldusjuhend



ETI Elektroelement d.o.o.
 Obrezija 5, 1411 Izlake, Slovenia
 Phone: +386(0)3 56 57 570
 Fax: +386(0)3 56 74 077
 e-mail: eti@eti.si
 www.etigroup.eu

	1 250 mm	2 500 mm	3 750 mm
2,5 384 mm	 DL-S3F 1-2.5 001342750 x1 DL-H90-1 001342759 x1 DL-V90-2.5 001342762 x1	 DL-S3F 2-2.5 001342751 x1 DL-H90-2 001342760 x1 DL-V90-2.5 001342762 x1	 DL-S3F 3-2.5 001342752 x1 DL-H90-3 001342761 x1 DL-V90-2.5 001342762 x1
5 759 mm	 DL-S3F 1-2.5 001342750 x2 DL-H90-1 001342759 x1 DL-V90-5 001342763 x1	 DL-S3F 2-2.5 001342751 x2 DL-H90-2 001342760 x1 DL-V90-5 001342763 x1	 DL-S3F 3-2.5 001342752 x2 DL-H90-3 001342761 x1 DL-V90-5 001342763 x1
7,5 1134 mm	 DL-S3F 1-2.5 001342750 x3 DL-H90-1 001342759 x1 DL-V90-7.5 001342764 x1	 DL-S3F 2-2.5 001342751 x3 DL-H90-2 001342760 x1 DL-V90-7.5 001342764 x1	 DL-S3F 3-2.5 001342752 x3 DL-H90-3 001342761 x1 DL-V90-7.5 001342764 x1

DL-S3F



DL-S3F 1-2.5 001342750			
No.	Type ETI	Name	Pcs.
1	DL-S3F-TYL-1-2.5	Support	1
2	DL-S3F-BEL-1	Support	1
3	AN-H 5	Nut M5 DIN934 Zn	14
4	AS-C 5x10	Screw M5x10 DIN7985 Zn	10
5	AW-ES 5	Washer serrated M5 DIN6798A Zn	24
6	AST 4.8x9.5	Tapping screw	4
7	ZP-1	Fastener	2

DL-S3F 2-2.5 001342751			
No.	Type ETI	Name	Pcs.
1	DL-S3F-TYL-2-2.5	Support	1
2	DL-S3F-BEL-2	Support	1
3	AN-H 5	Nut M5 DIN934 Zn	18
4	AS-C 5x10	Screw M5x10 DIN7985 Zn	14
5	AW-ES 5	Washer serrated M5 DIN6798A Zn	32
6	AST 4.8x9.5	Tapping screw	4
7	ZP-1	Fastener	2

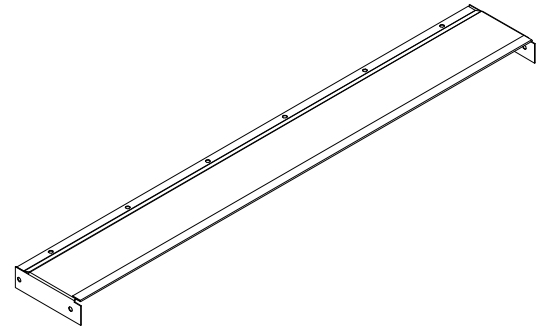
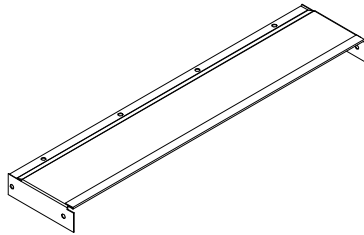
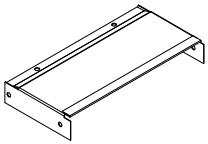
DL-S3F 3-2.5 001342752			
No.	Type ETI	Name	Pcs.
1	DL-S3F-TYL-3-2.5	Support	1
2	DL-S3F-BEL-3	Support	1
3	AN-H 5	Nut M5 DIN934 Zn	22
4	AS-C 5x10	Screw M5x10 DIN7985 Zn	18
5	AW-ES 5	Washer serrated M5 DIN6798A Zn	40
6	AST 4.8x9.5	Tapping screw	4
7	ZP-1	Fastener	2

DL-H90

DL-H90-1 001342759

DL-H90-2 001342760

DL-H90-3 001342761



DL-V90

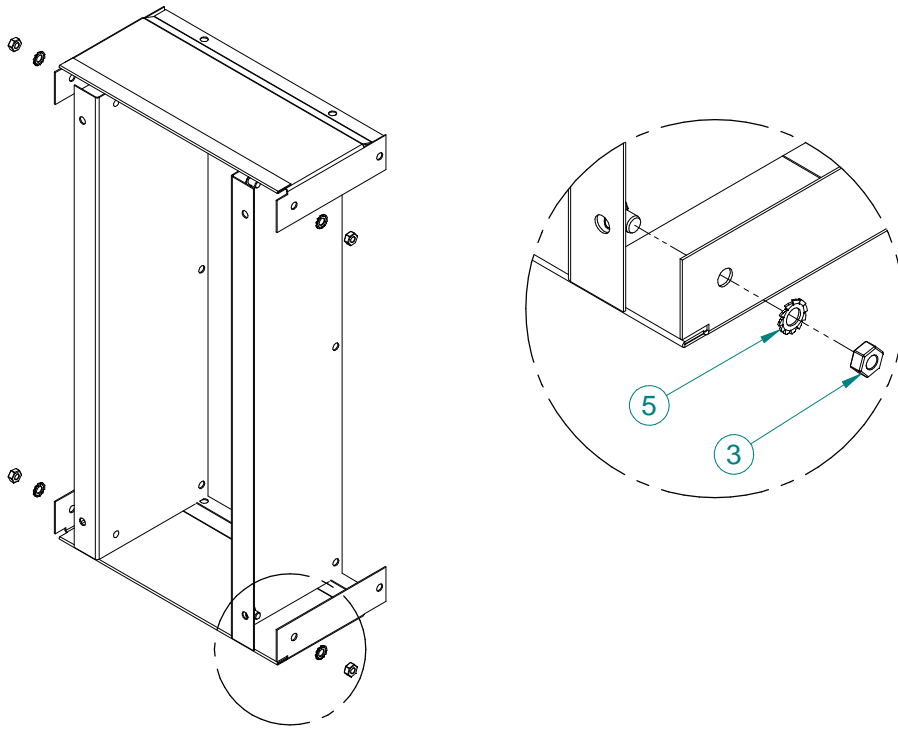
DL-V90-2.5 001342762

DL-V90-5 001342763

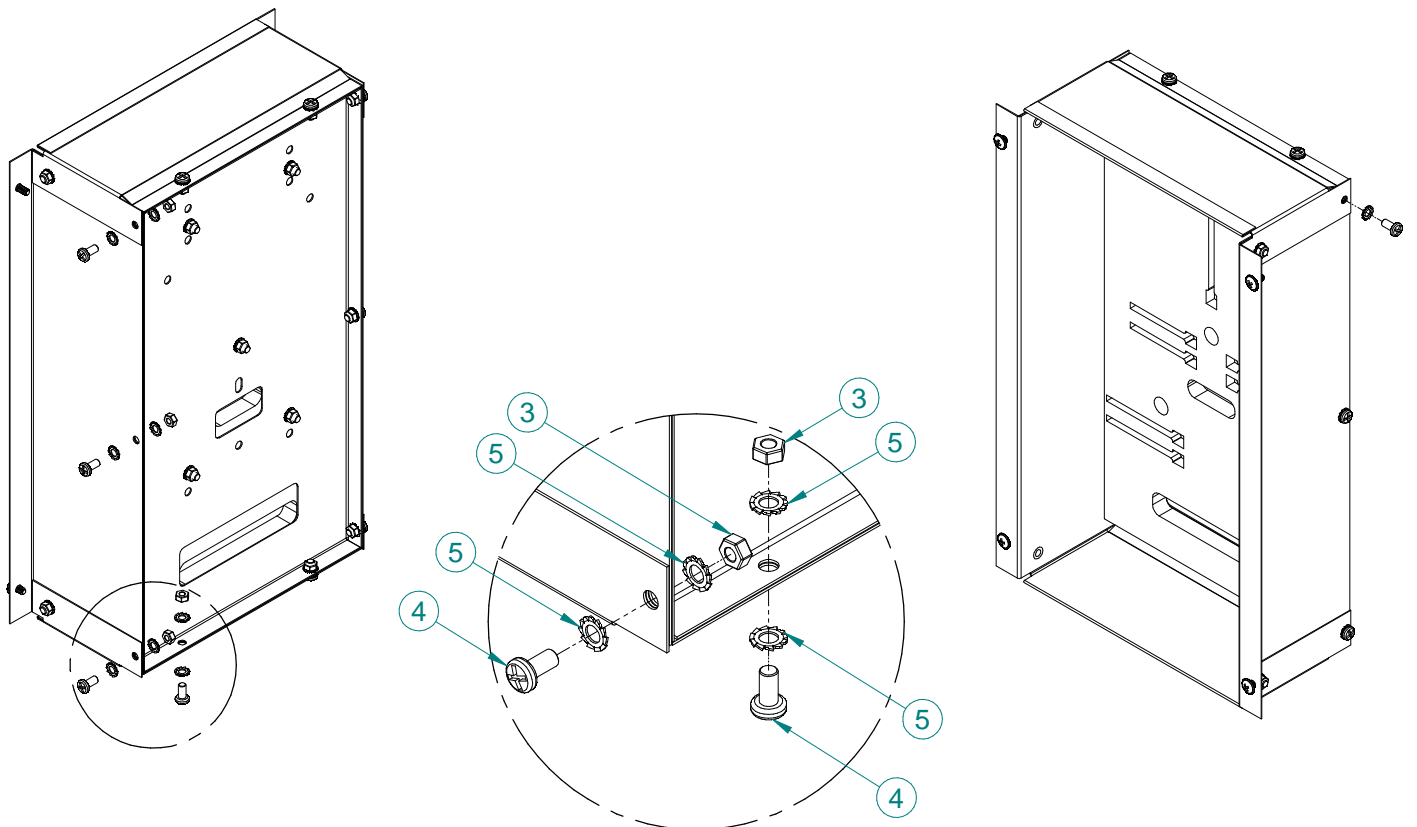
DL-V90-7.5 001342764



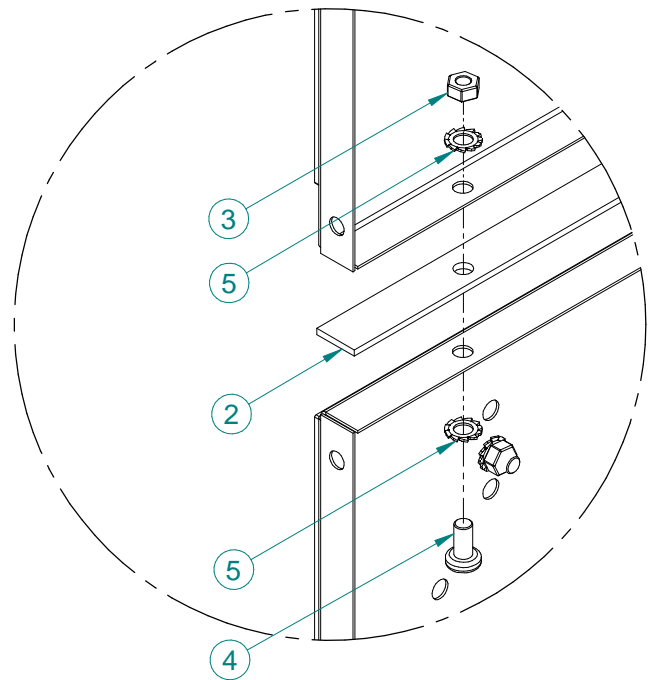
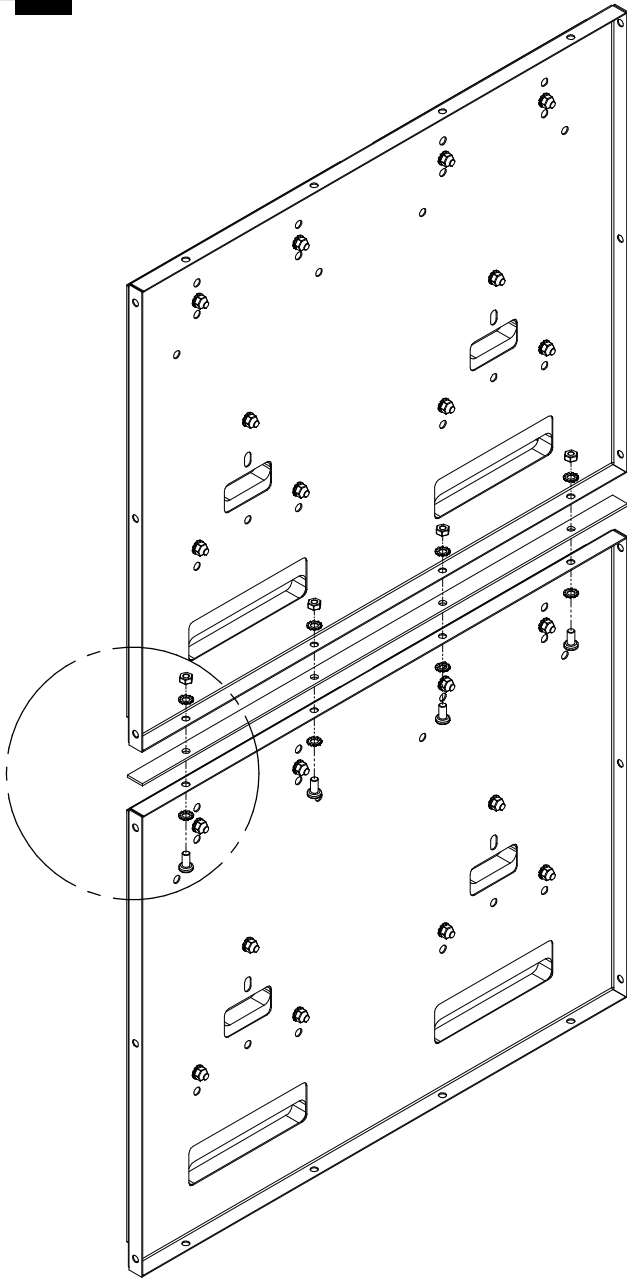
1a



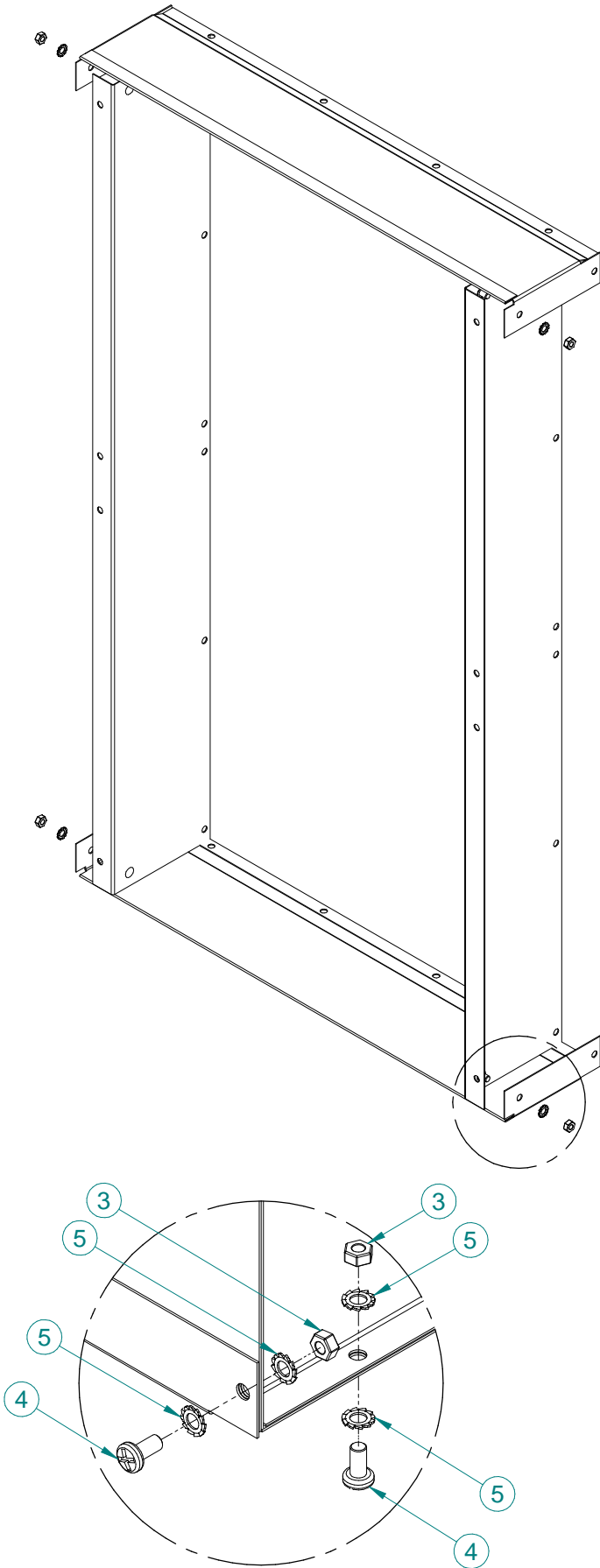
2a



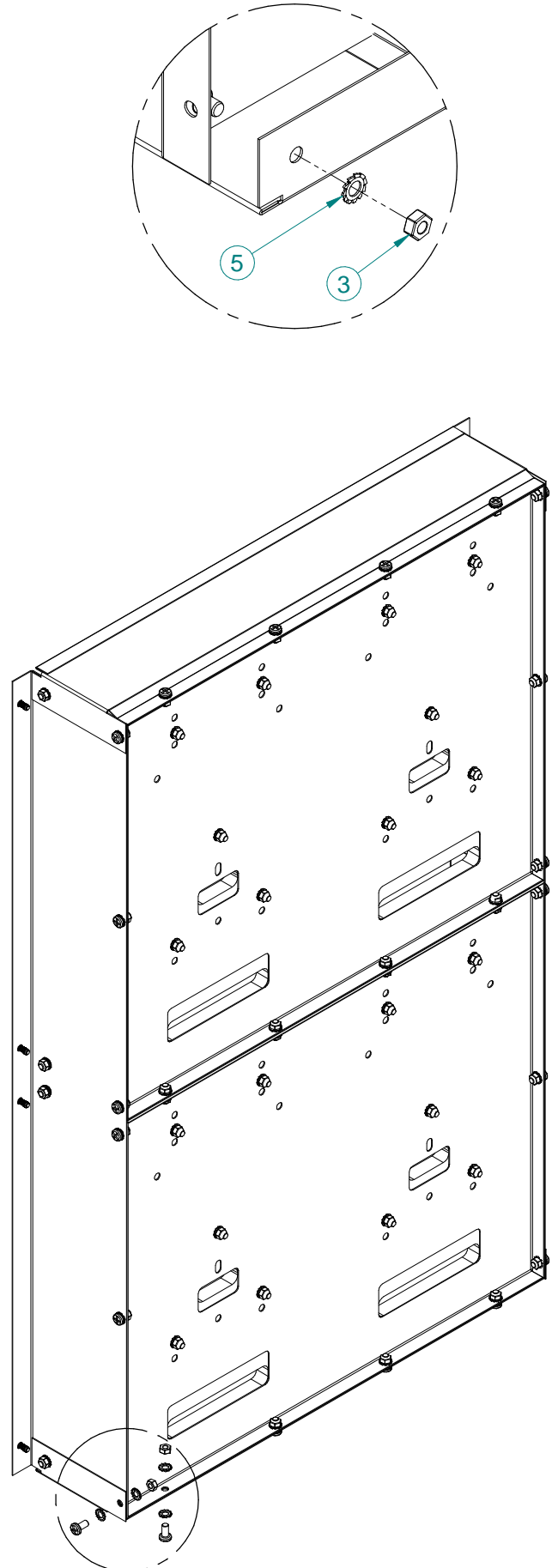
1b



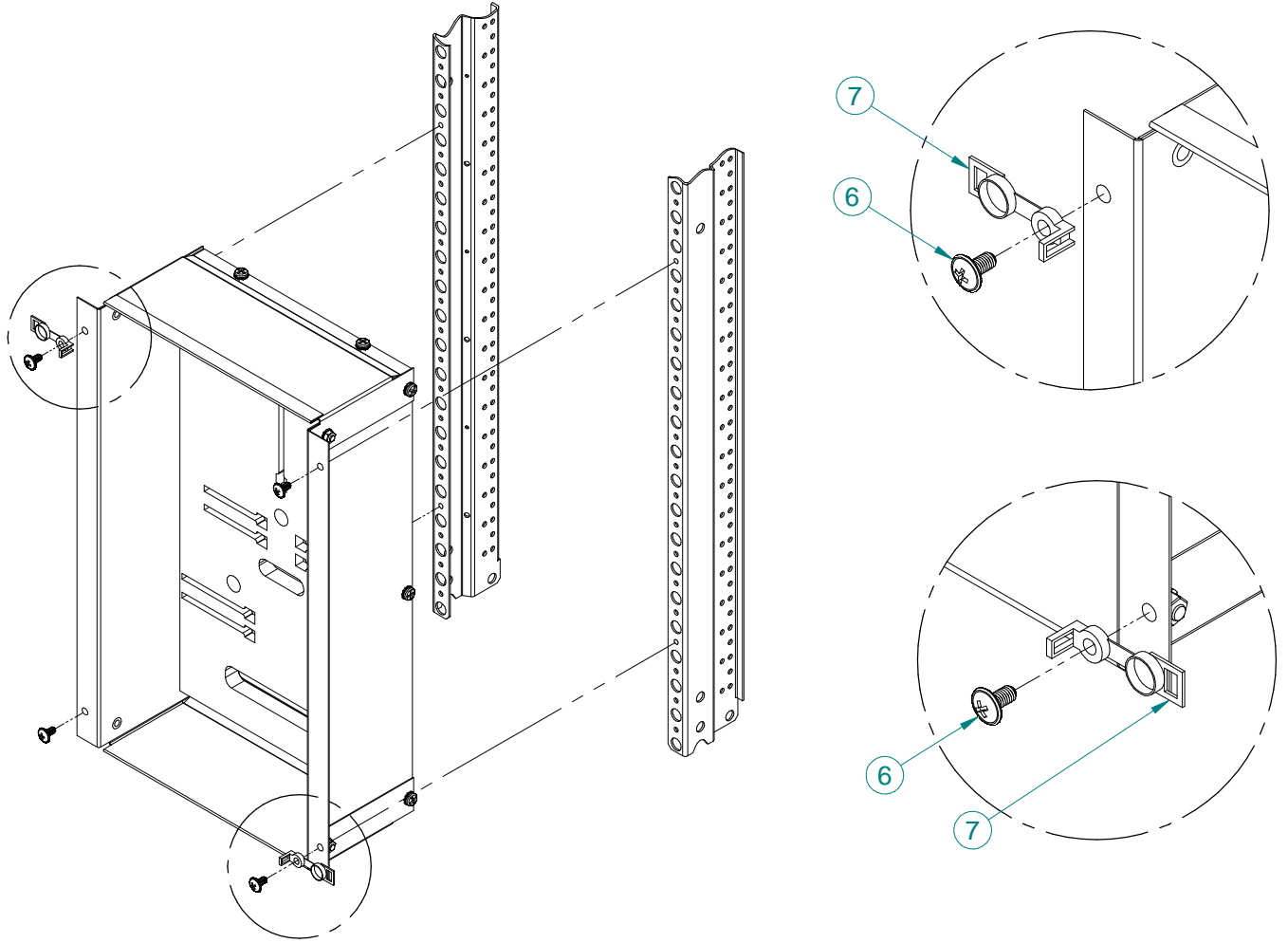
2b



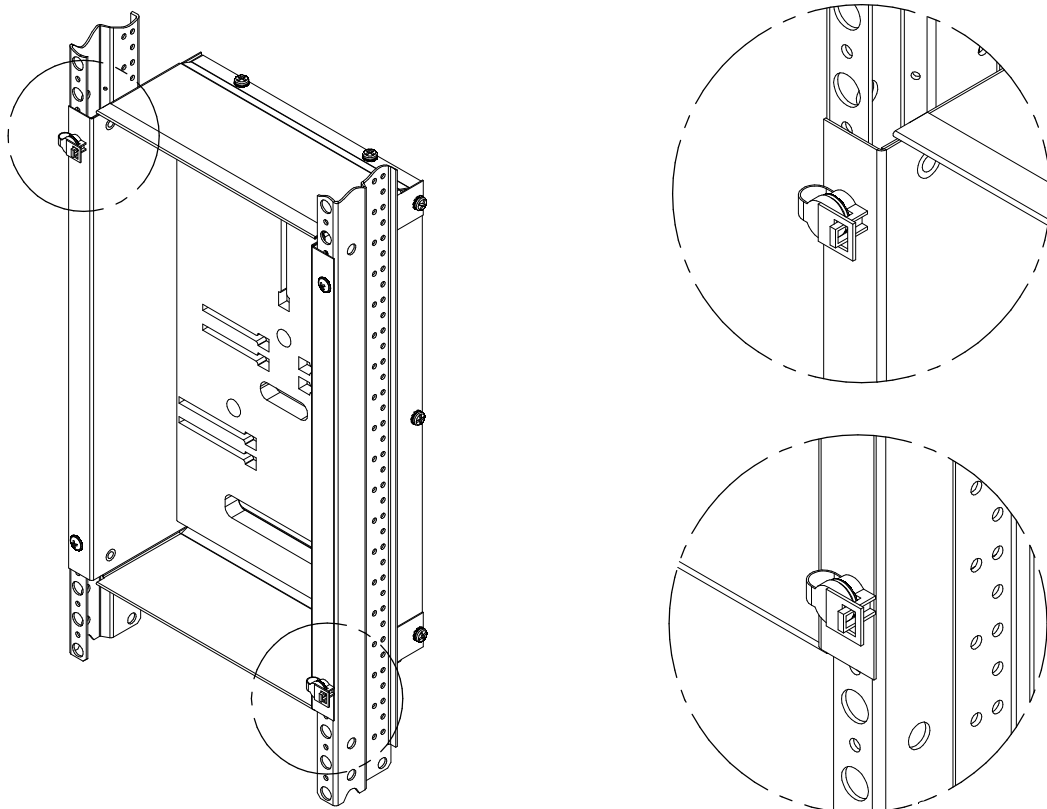
2c

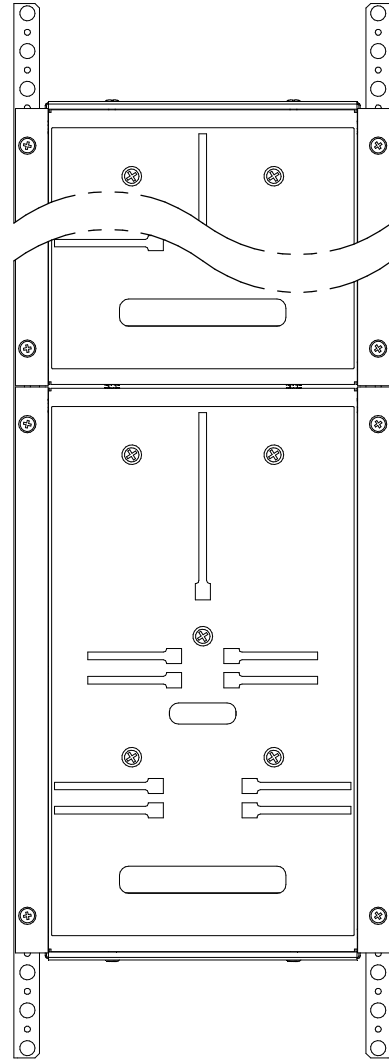
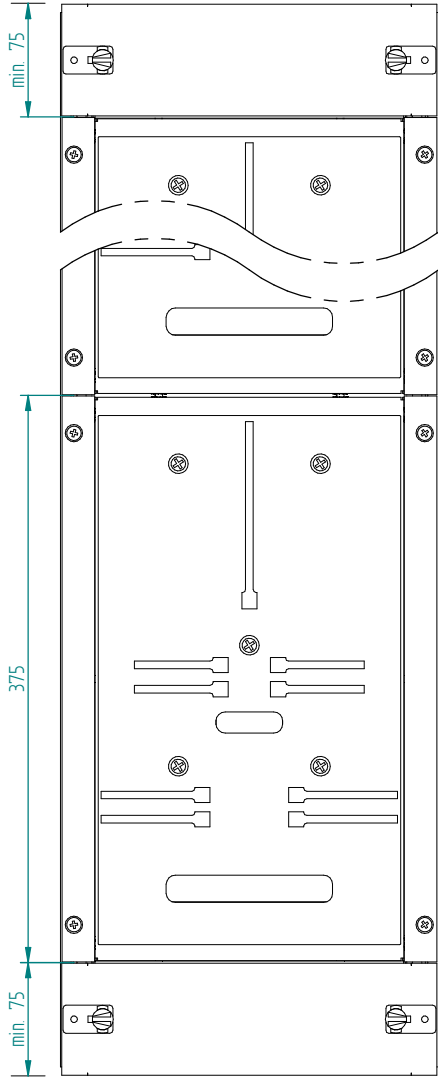


1a



2a







Power needs control

SOLID GSX Enclosure system