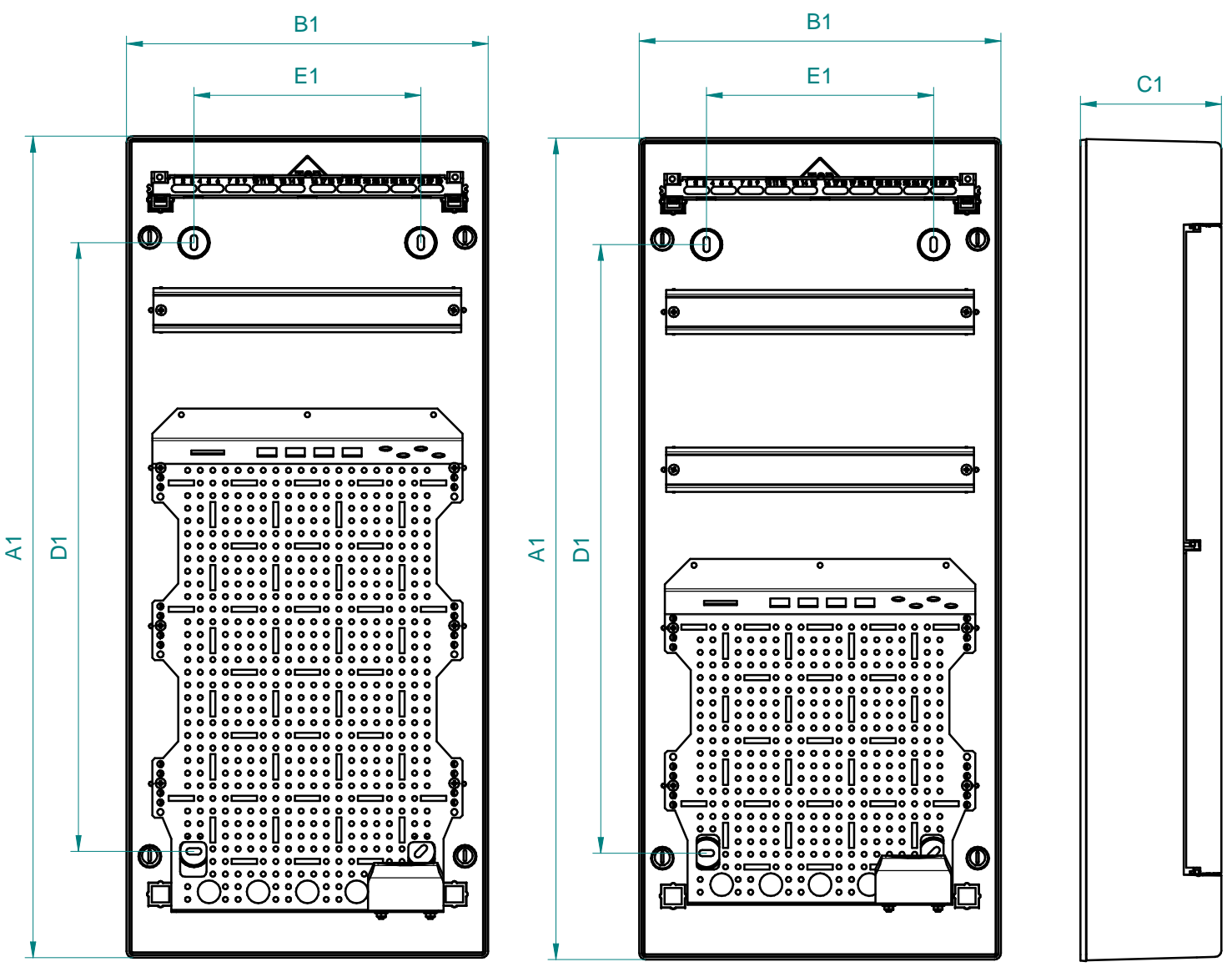
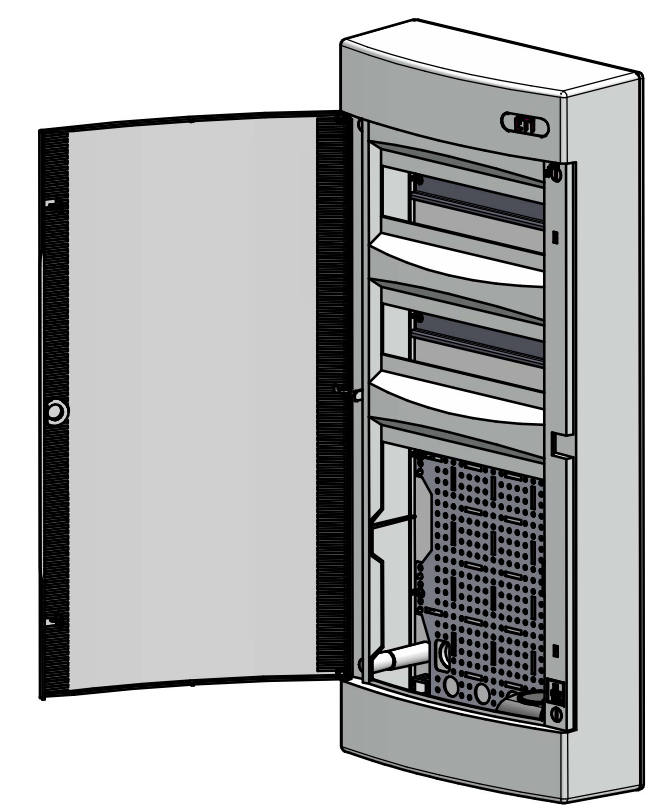
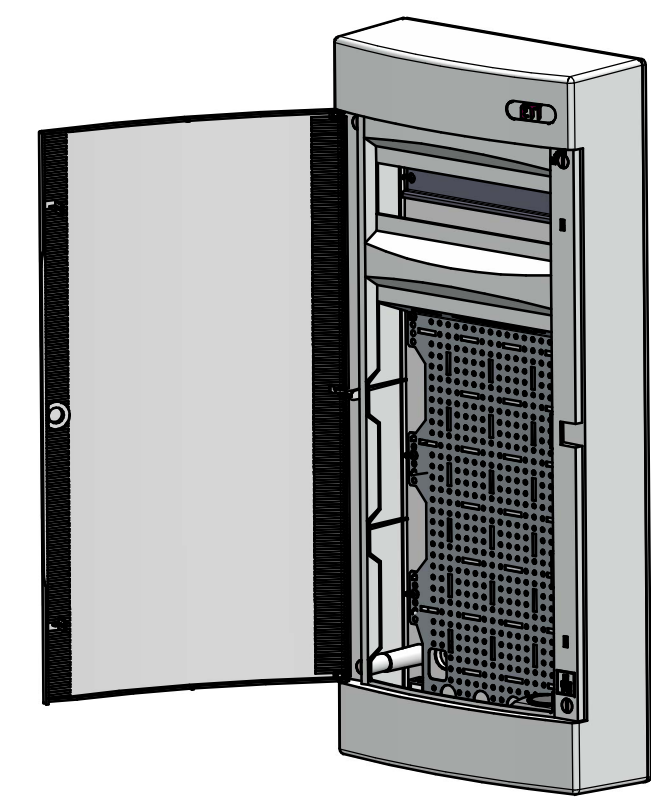




SWITCH TO  
A SAFE FUTURE

- Ⓒ Mounting instructions
- Ⓓ Montageanleitung
- Ⓔ Navodilo za montažo
- Ⓕ Instrukcje montażu
- Ⓗ Upute za montažu
- Ⓒ Montážní návod
- Ⓔ Navod na montáž
- Ⓗ Szerelesí utmutató
- Ⓕ Montavimo instrukcija
- Ⓔ Инструкција за монтаж
- Ⓕ Montāžas instrukcija
- Ⓔ Paigaldusjuhend



Type of MEDIA enclosure	A1 [mm]	B1 [mm]	C1 [mm]	D1 [mm]	E1 [mm]	Pde [W]	Weight [kg]
ECT 3X18PO MEDIA-MOD	526	396	112	357	289	63	2,90
ECT 4X18PO MEDIA 2xMOD	655	396	112	482	289	63	3,55
ECT48PO MEDIA 1xMOD	652	287	112	482	180	63	2,65
ECT48PO MEDIA 2xMOD	652	287	112	482	180	63	2,90

For indoor locations (≤ 50% RH at max. +40°C or for example 90% RH at +20°C)  
 Temperature range: -25°C ... +60°C, Rating Voltage AC 400V; IP40; Class II; IK08  
 According to: IEC 60670; IEC 62208

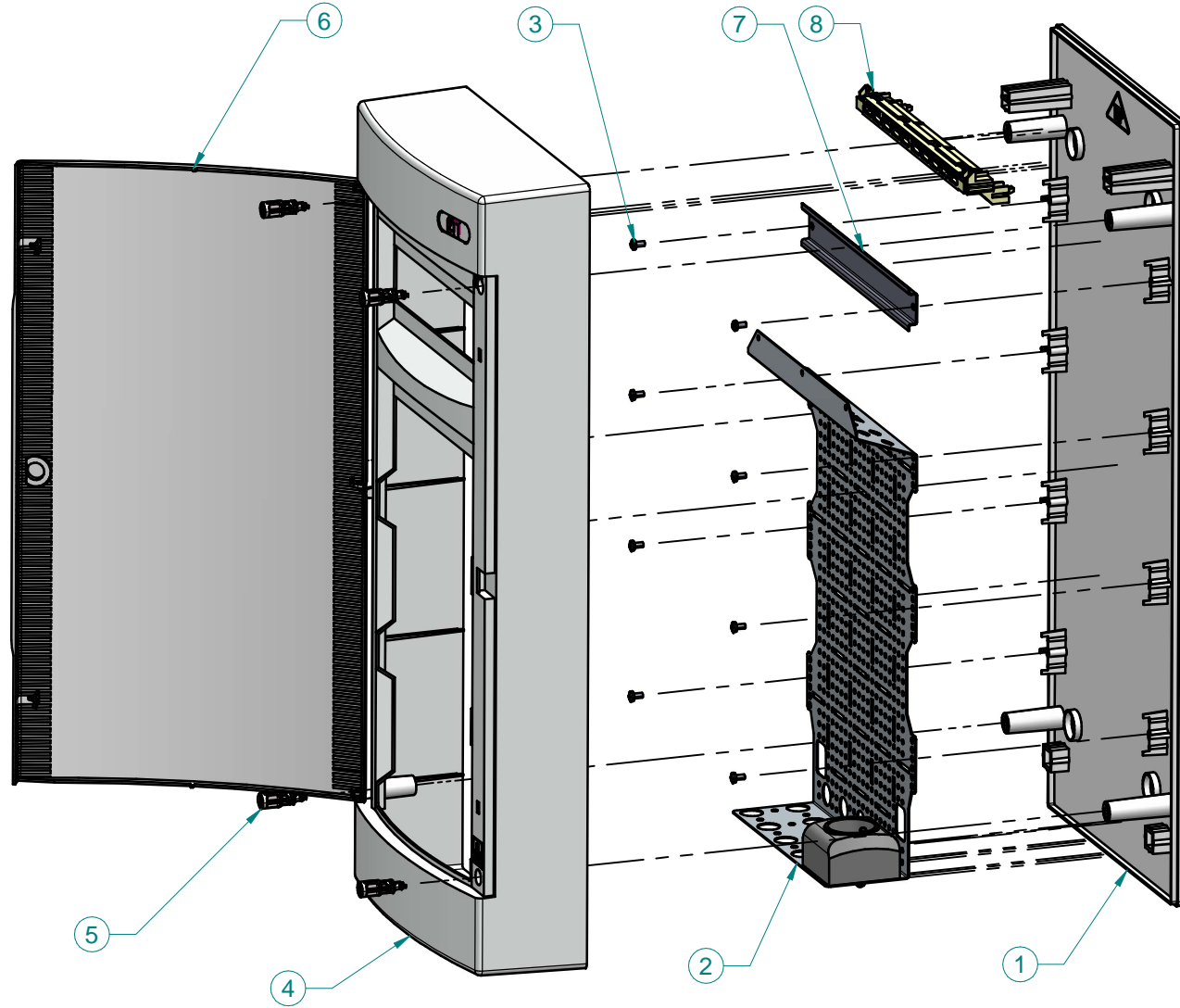
Przykładowy widok obudów ECT MEDIA\_MOD

ETI Elektroelement d.o.o.  
 Obrezija 5  
 1411 Izlake  
 Slovenia

ETI Polam Sp. z o.o.  
 ul. Jana Pawła II 18  
 06-100 Pułtusk  
 Polska

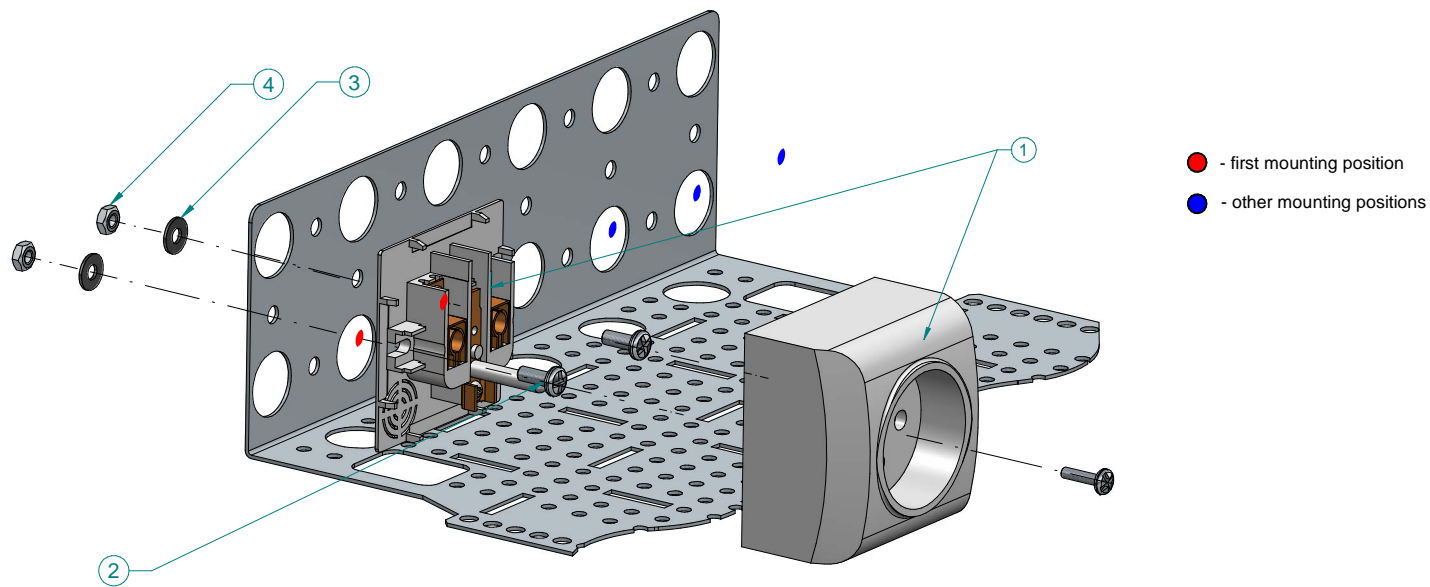
## Assembly of ECT MEDIA 1xMOD enclosure

No.	Type	Pcs.
1	Bottom of ECT enclosure	1
2	Mounting plate with socket	1
3	Tapping screw	8
4	Front of ECT enclosure	1
5	Front fender pin	4
6	Door of ECT enclosure	1
7	DIN Rail TH35	1
8	PE/N terminal	1



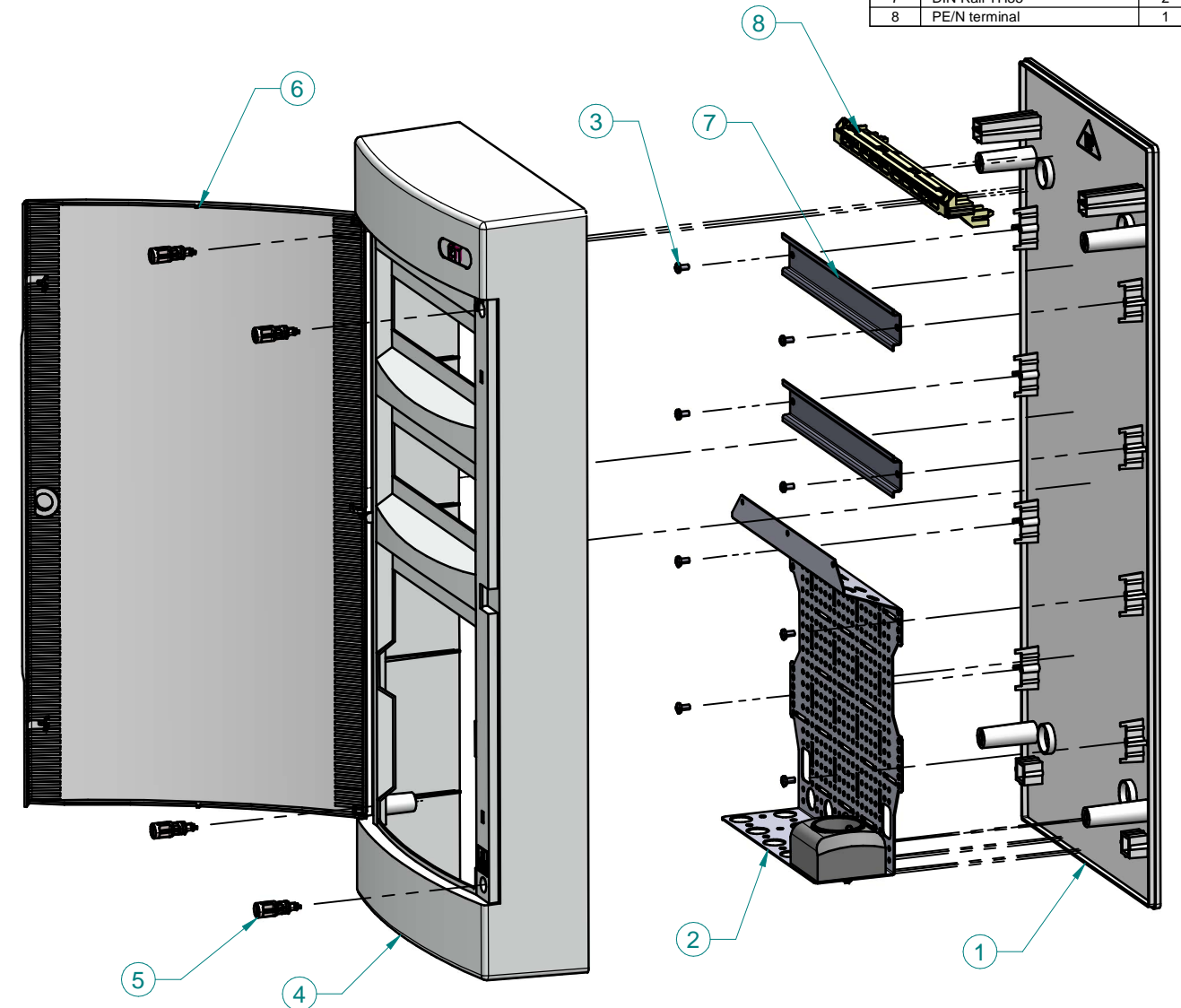
## Socket installation on the mounting plate

No.	Type	Name	Pcs.
1	EGN-1BS/00 / EGN-1BZ/00	Socket	1
2	M4x10 WW-PZ-B DIN7985	Screw M4 DIN7985	2
3	P4.0X9.0x0.8B DIN125	Washer M4 DIN125	2
4	NM 4B DIN934	Nut M4 DIN934	2



## Assembly of ECT MEDIA 2xMOD enclosure

No.	Type	Pcs.
1	Bottom of ECT enclosure	1
2	Mounting plate with socket	1
3	Tapping screw	8
4	Front of ECT enclosure	1
5	Front fender pin	4
6	Door of ECT enclosure	1
7	DIN Rail TH35	2
8	PE/N terminal	1



## Socket installation on the mounting plate

No.	Type	Name	Pcs.
1	EGN-1BS/00 / EGN-1BZ/00	Socket	1
2	M4x10 WW-PZ-B DIN7985	Screw M4 DIN7985	2
3	P4.0X9.0x0.8B DIN125	Washer M4 DIN125	2
4	NM 4B DIN934	Nut M4 DIN934	2

