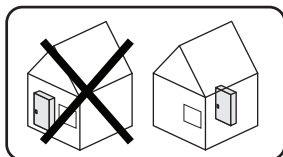
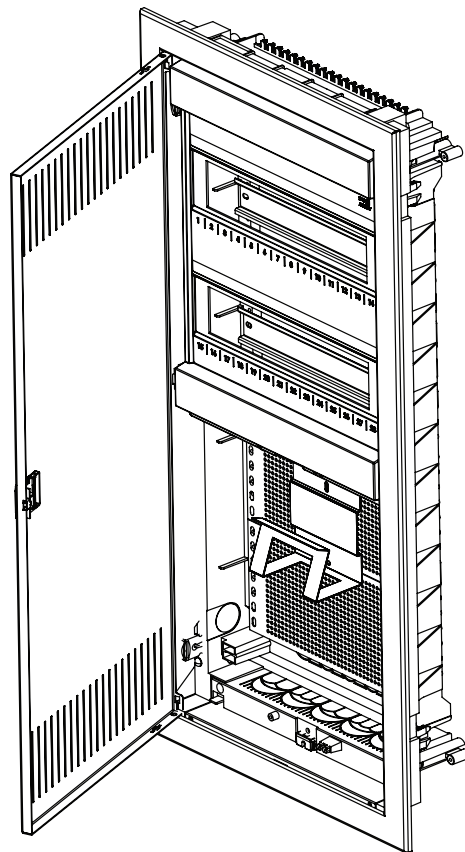




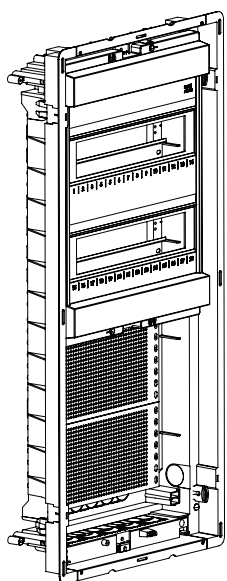
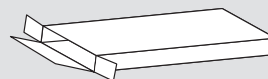
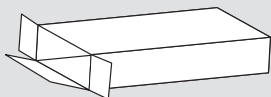
ETI Elektroelement d.o.o
Obrezija 5
1411 Izlake
Slovenia

ETI Polam Sp.z.o.o.
ul. Jana Pawła II 18
06-100 Pułusk
Polska

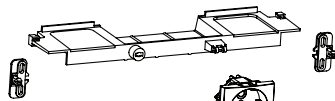
- | | | | |
|----|--------------------------|----|-------------------------|
| DE | Montageanleitung | HR | Upute za montažu |
| FR | Notice d'instructions | HU | Szerelési útmutató |
| GB | Mounting instructions | LT | Montavimo instrukcija |
| NL | Montage instructie | LV | Montāžas instrukcija |
| DK | Monteringsvejledning | PL | Instrukcja montażowa |
| FI | Asennusohje | RO | Instructiuni de montare |
| NO | Montasjeanvisning | SK | Návod na montáž |
| SE | Monterings instruktioner | RU | Руководство по монтажу |
| IT | Istruzioni di montaggio | BG | Инструкции за монтаж |
| ES | Instrucciones de montaje | GR | Οδηγίες χώνευσης |
| PT | Instruções de montagem | SI | Navodilo za montažo |
| CZ | Montážní návod | EE | Paigaldusjuhised |
| BA | Uputstvo za montažu | IS | Leiðbeiningar |
| SR | Uputstvo za montažu | AR | دليل التركيب |
| UK | Керівництво з монтажу | | |



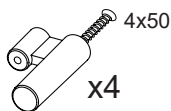
EAC



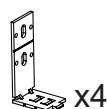
x1



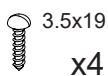
x1



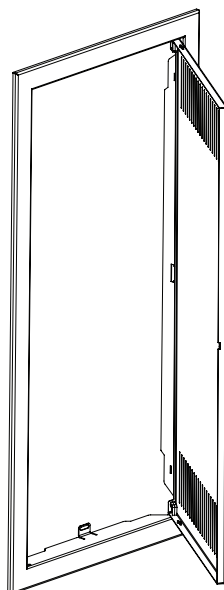
x4



x4



x4



x1

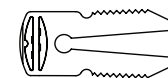


x2



x2

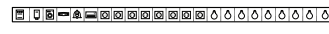
3.5x19



x4



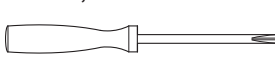
x1



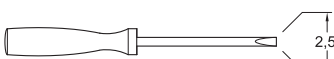
Labels X1



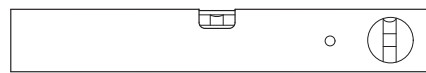
ECG, ECGH



PZ 2



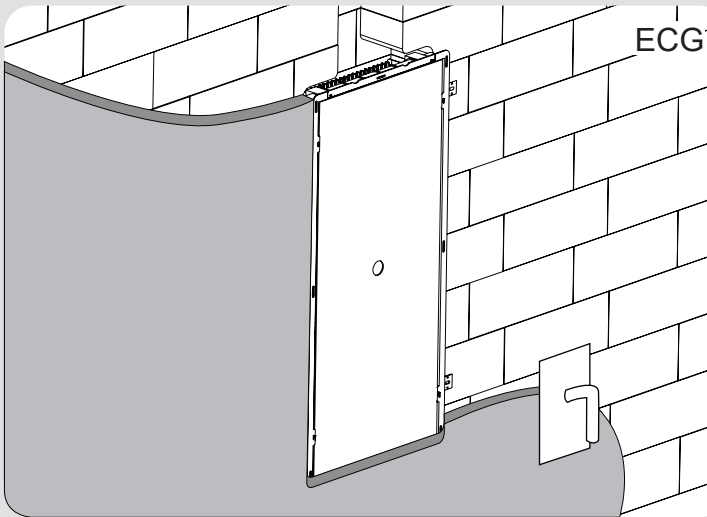
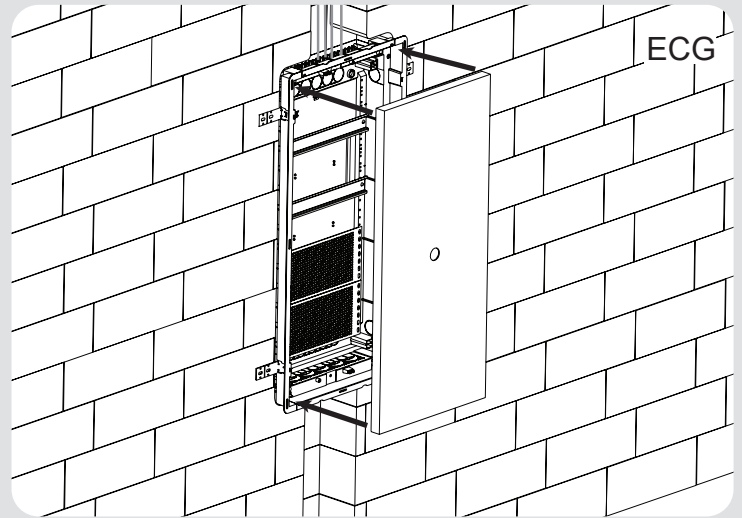
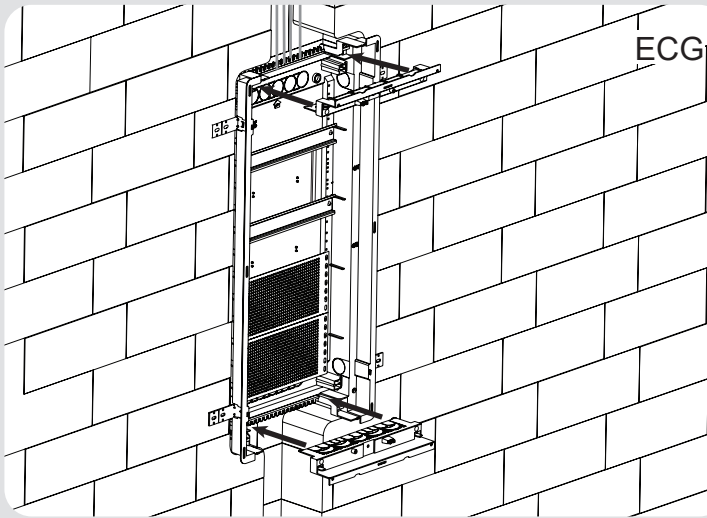
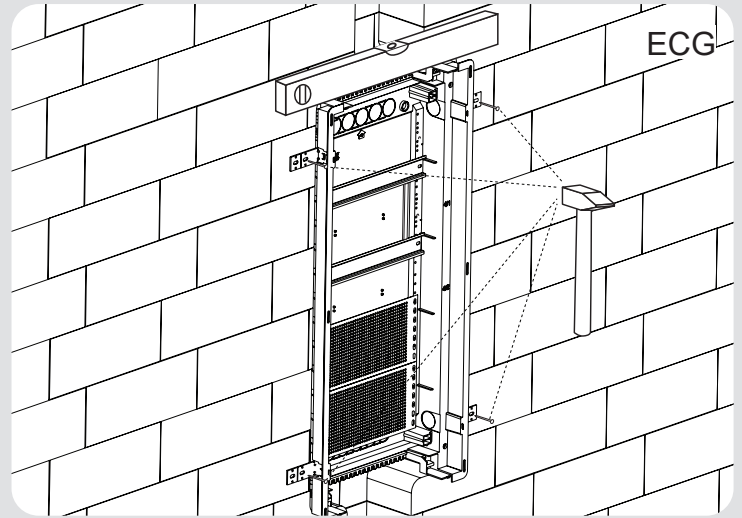
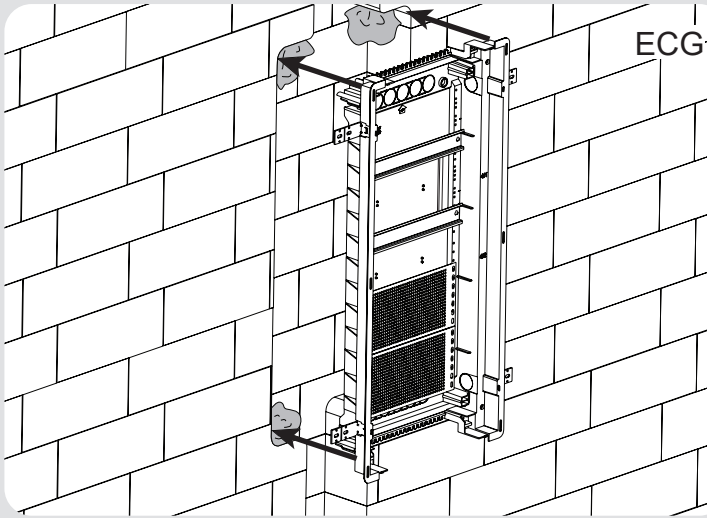
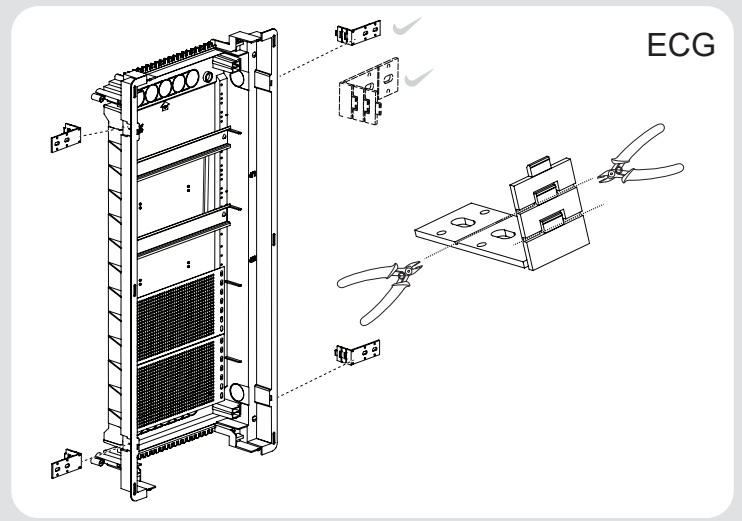
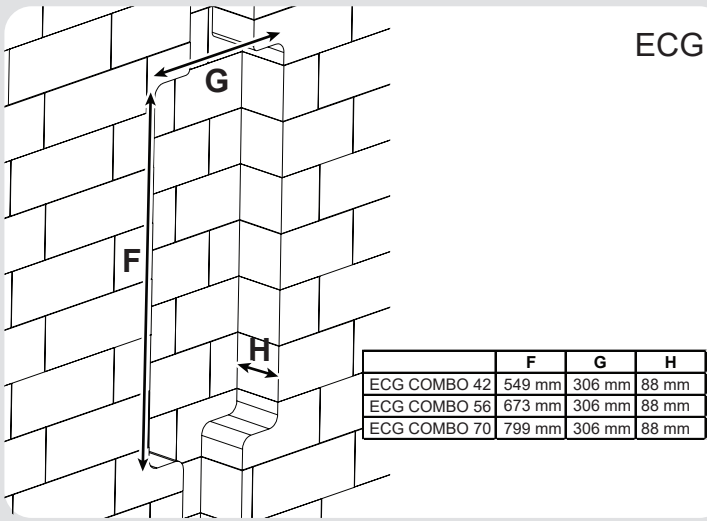
2.5



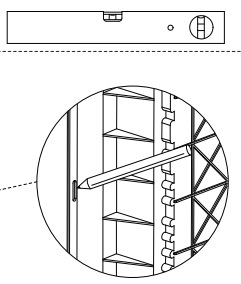
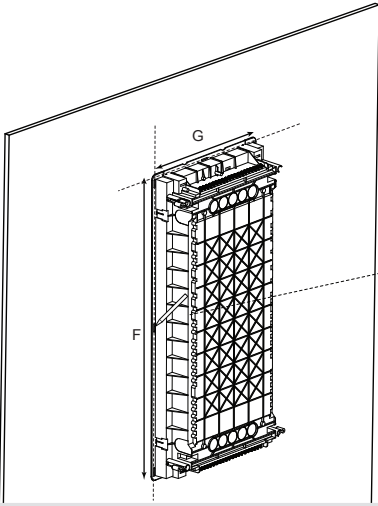
ECG



ECGH

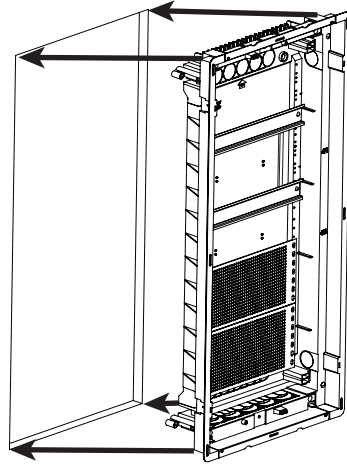


ECGH

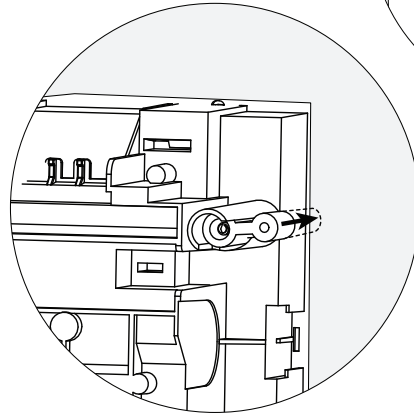
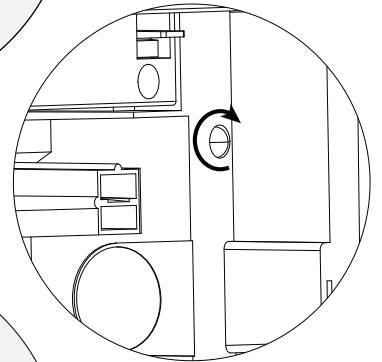
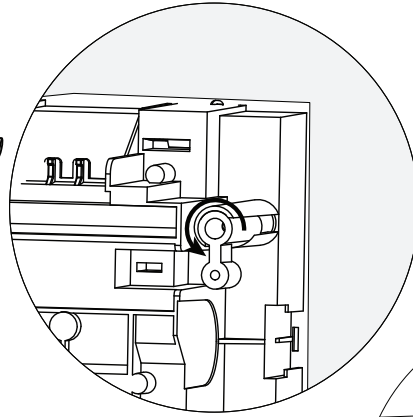
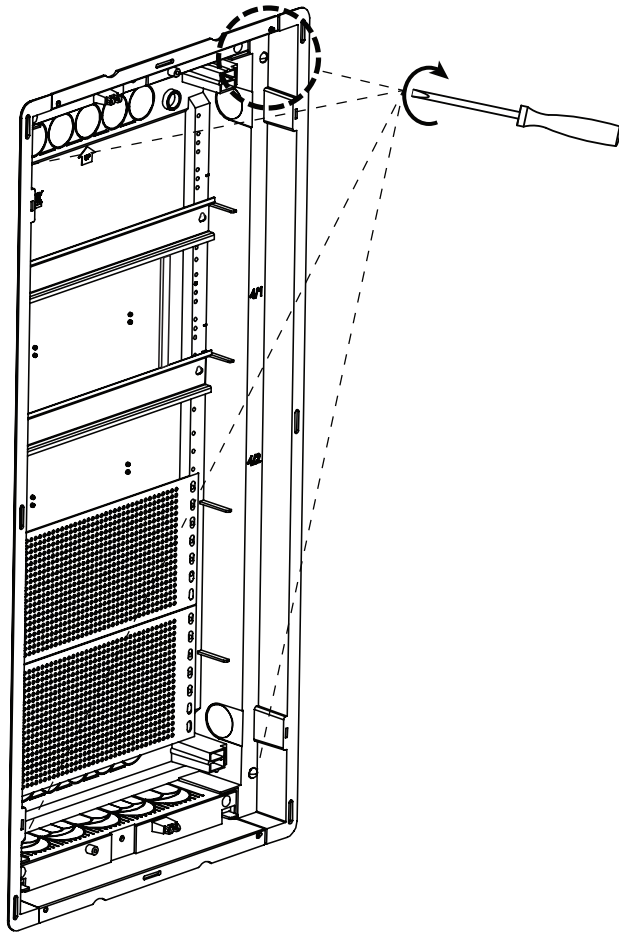


	F	G
ECG COMBO 42	549 mm	306 mm
ECG COMBO 56	673 mm	306 mm
ECG COMBO 70	799 mm	306 mm

ECGH

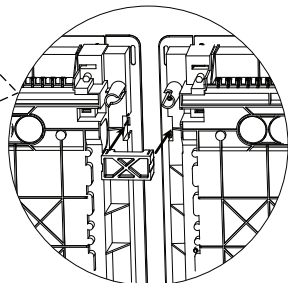
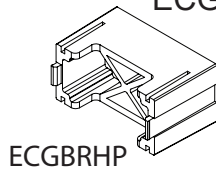
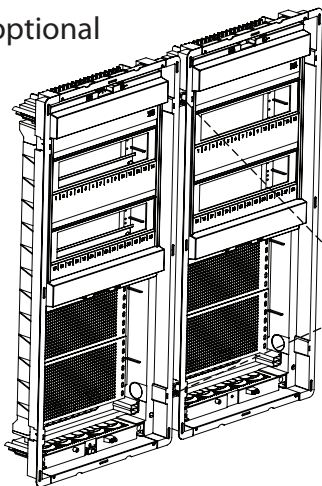


ECGH

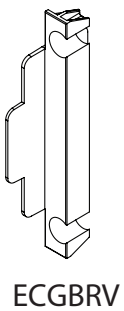
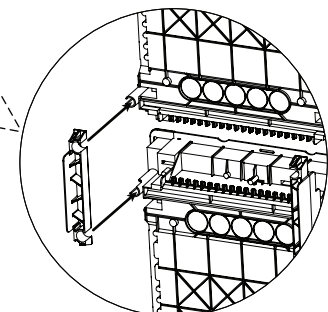
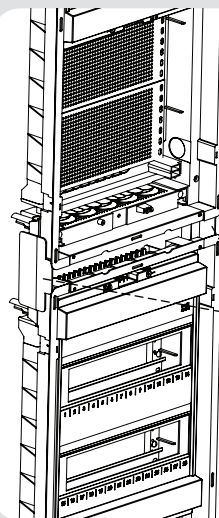


optional

ECGH ECG

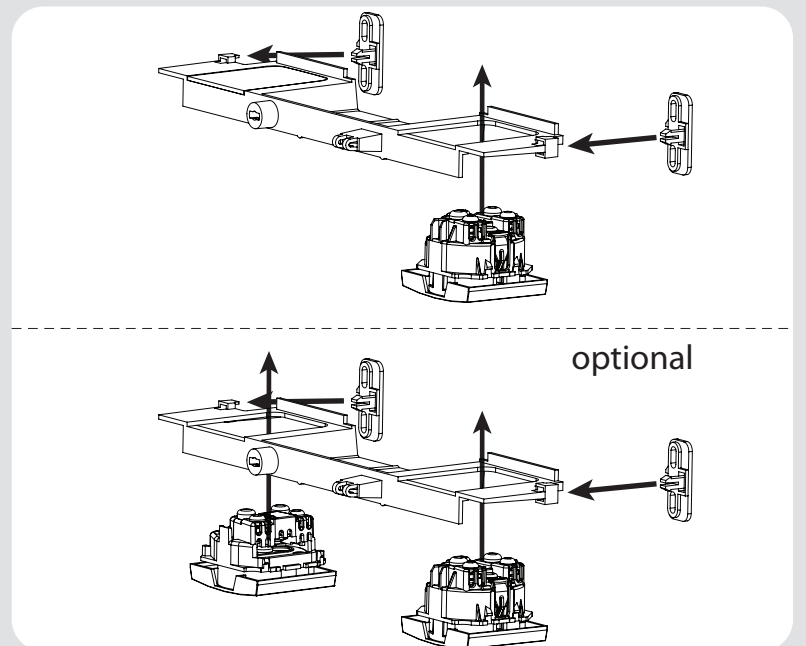
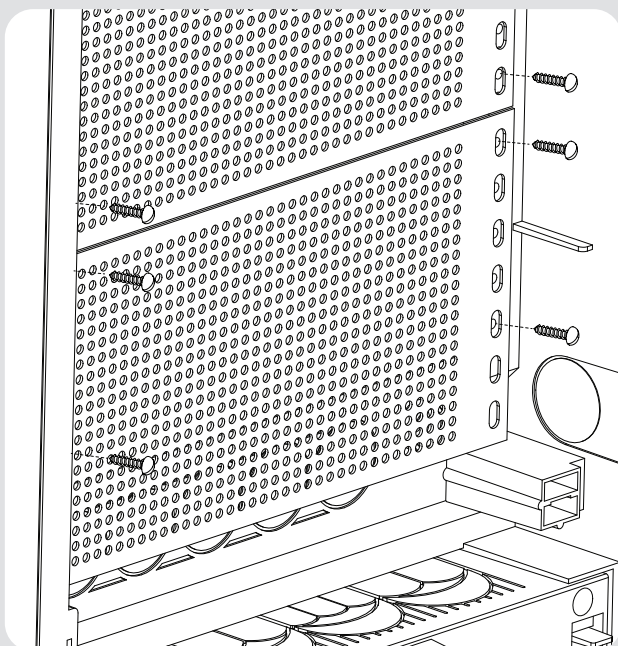
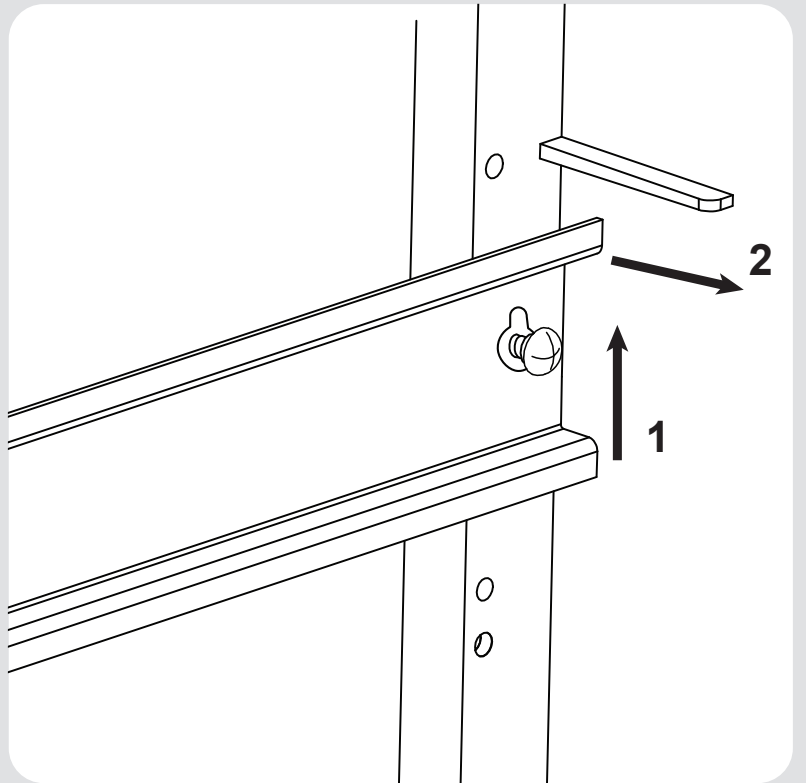
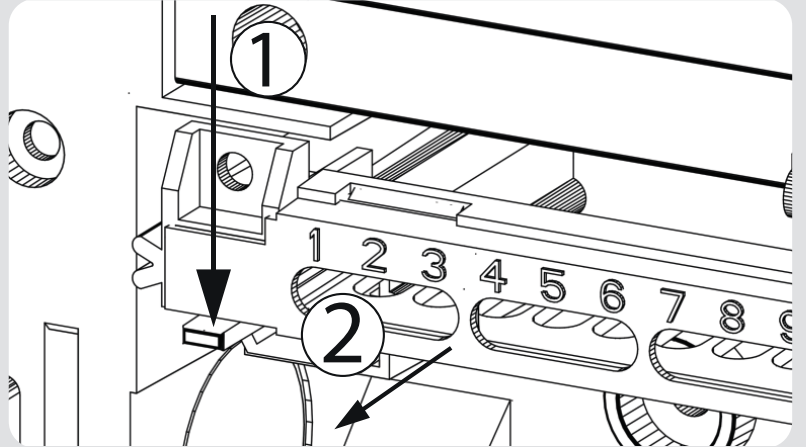
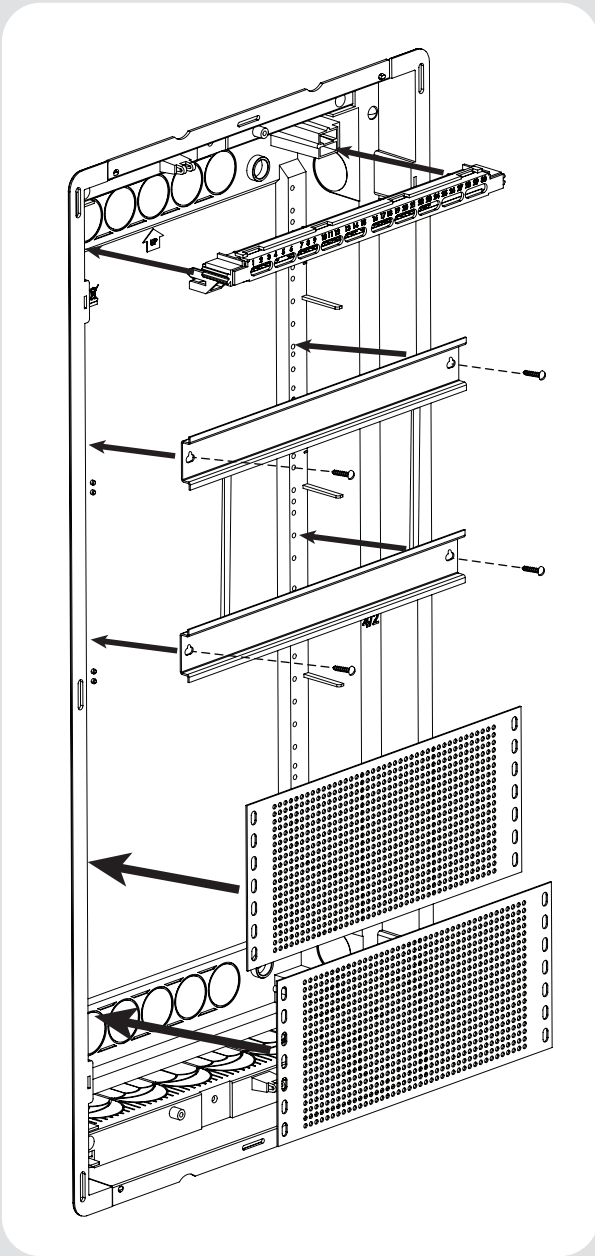


optional ECGH ECG

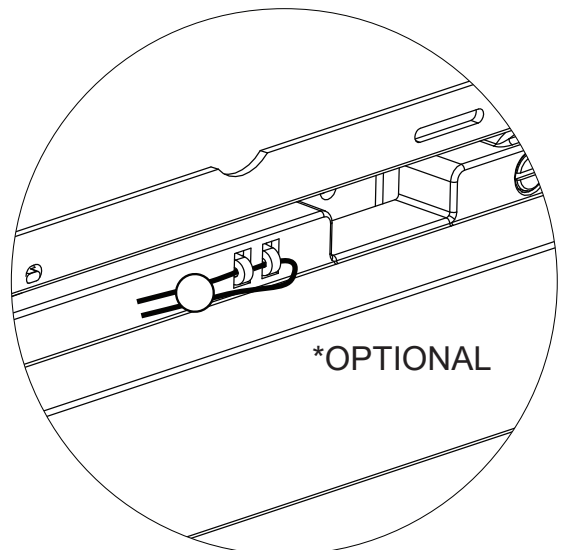
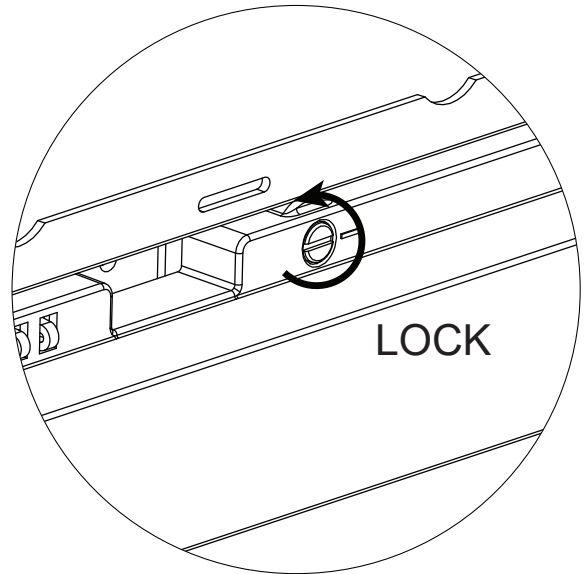
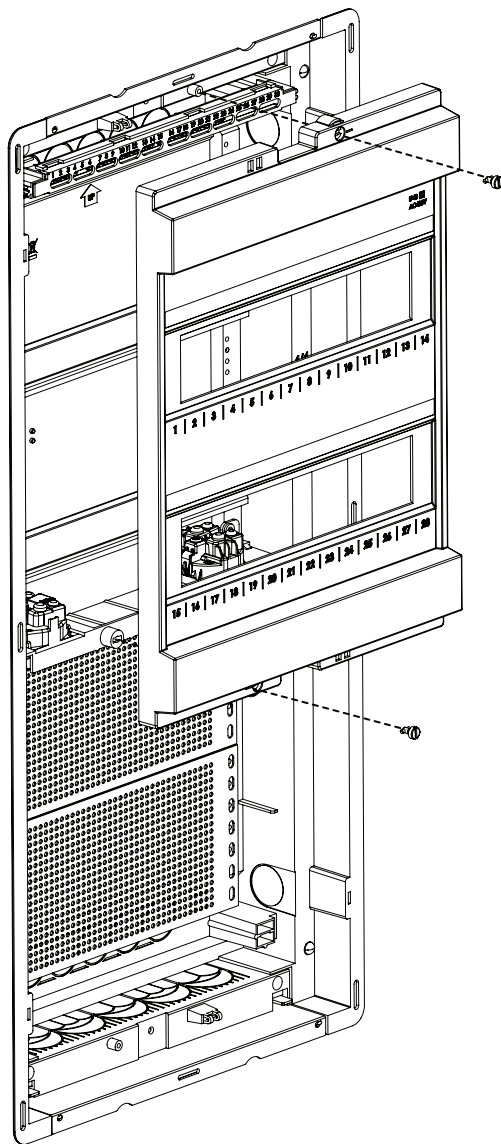
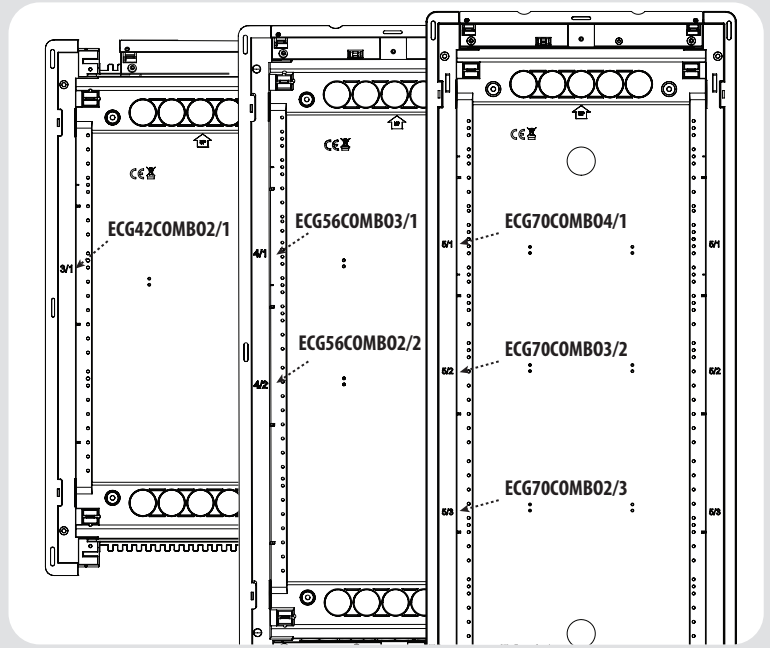
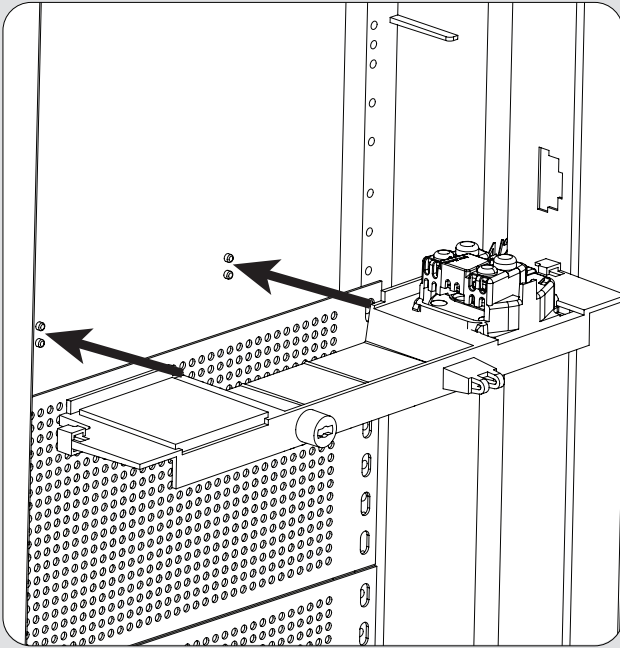


ECGBRV

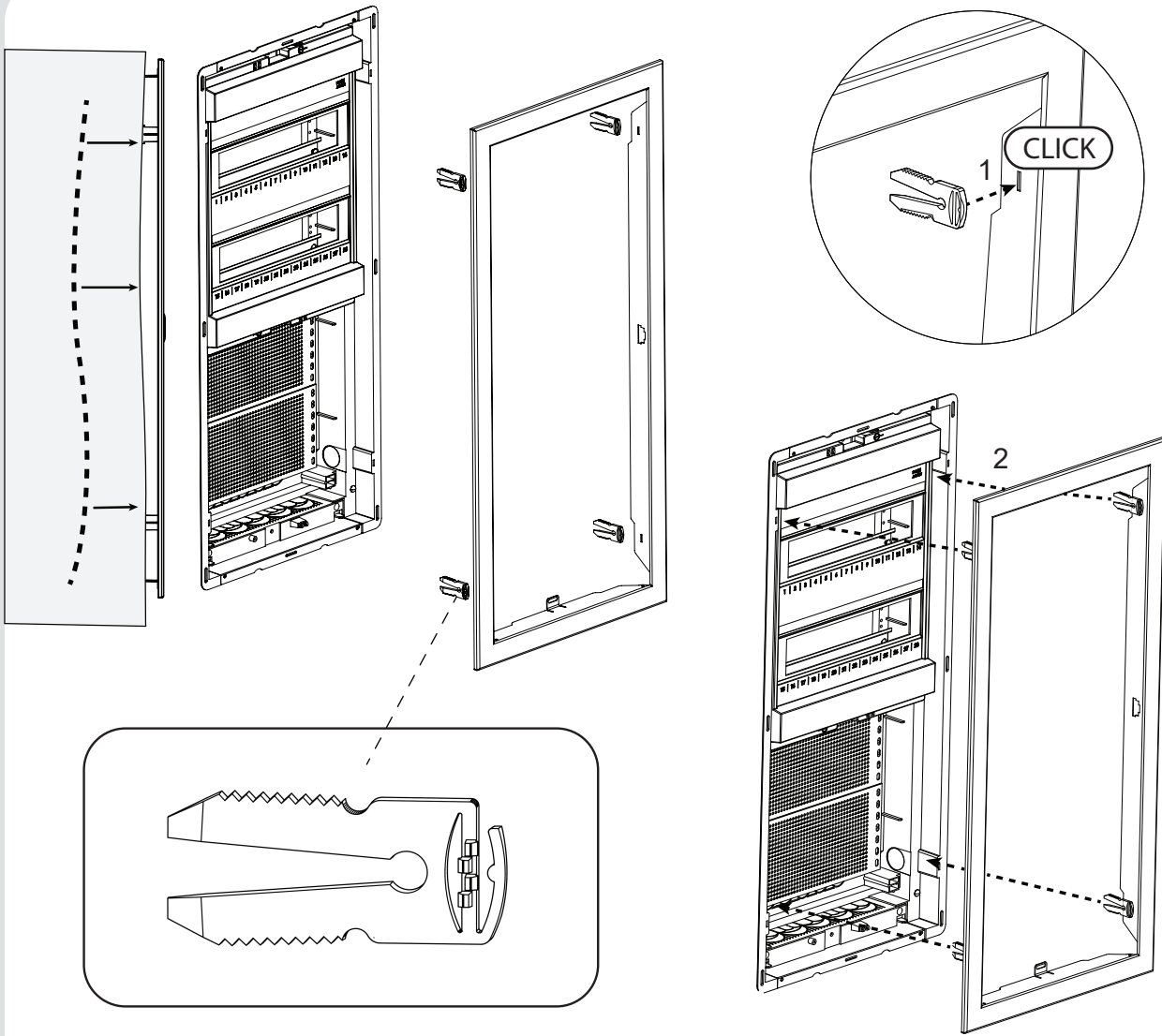
ECG, ECGH



ECG, ECGH



ECG, ECGH

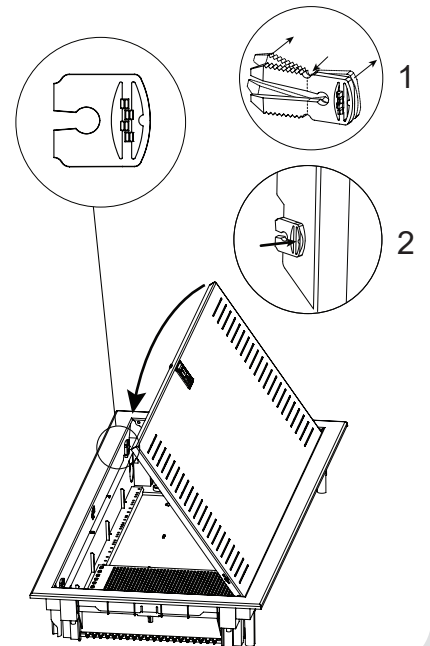
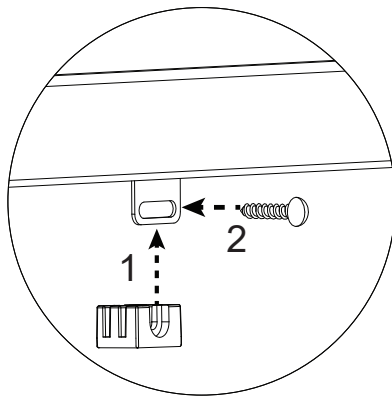
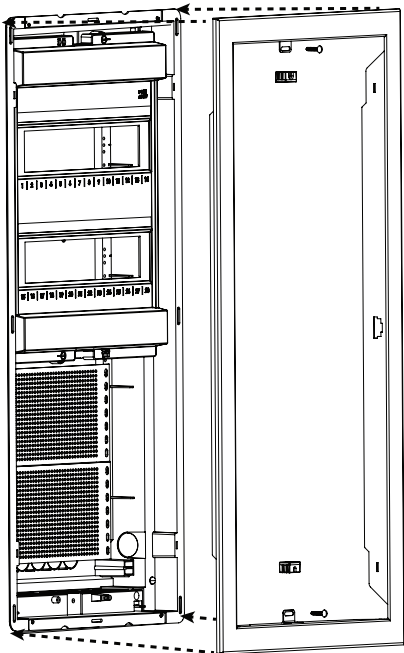


4 point connection

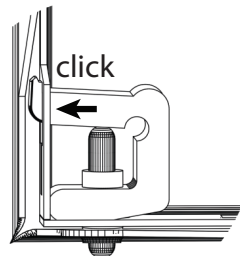
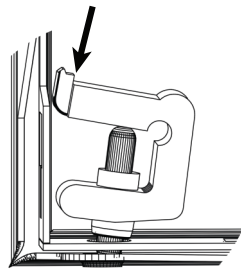
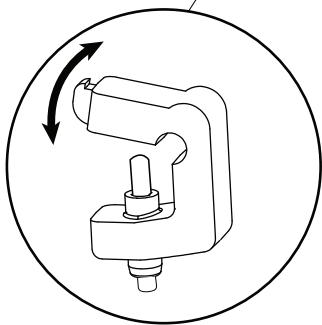
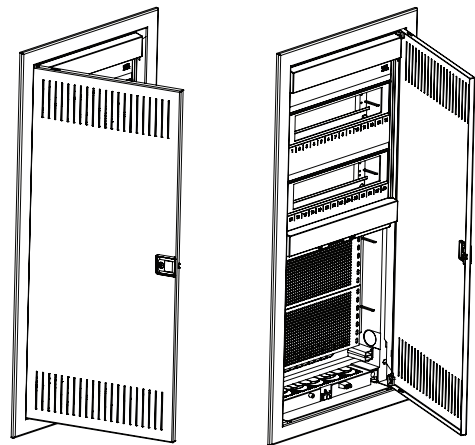
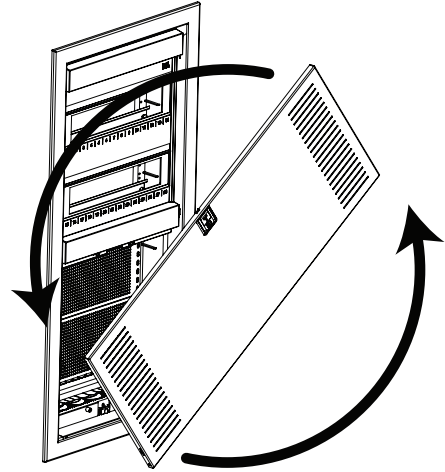
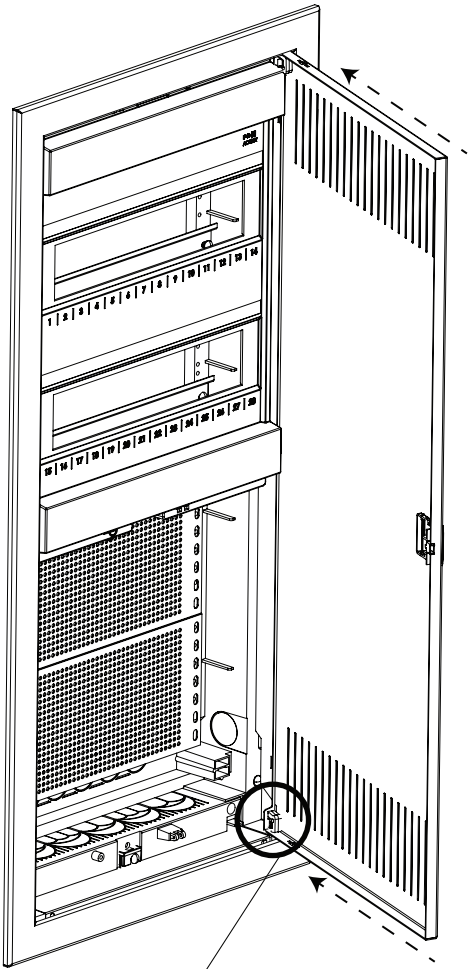
OR

2 point connection

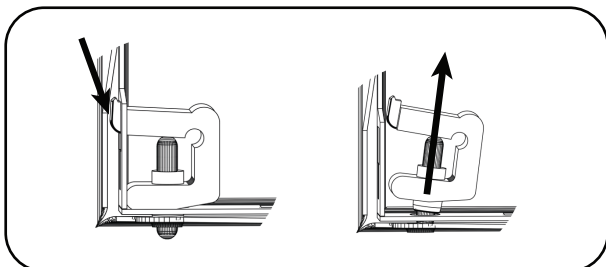
door stopper



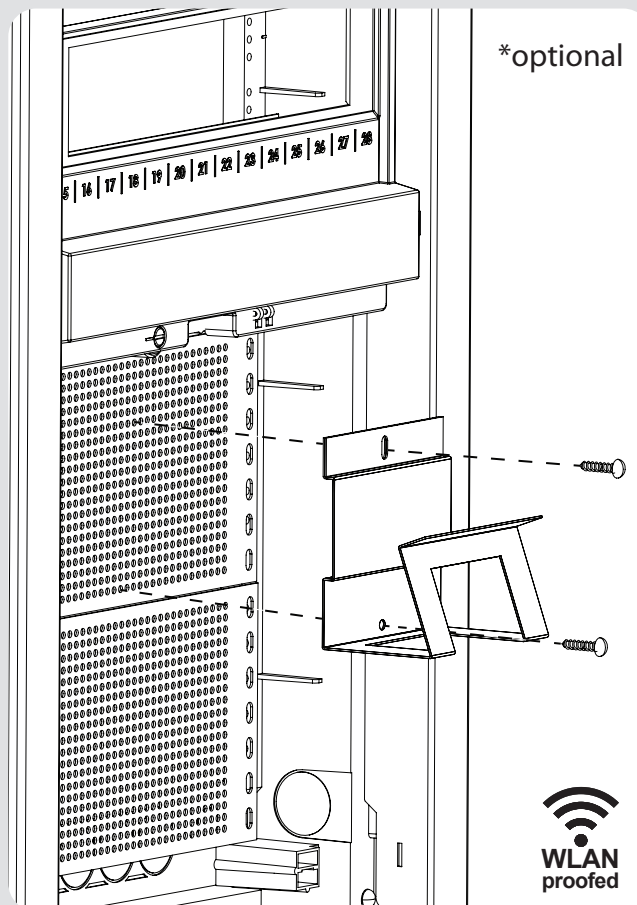
ECG, ECGH

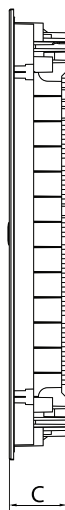
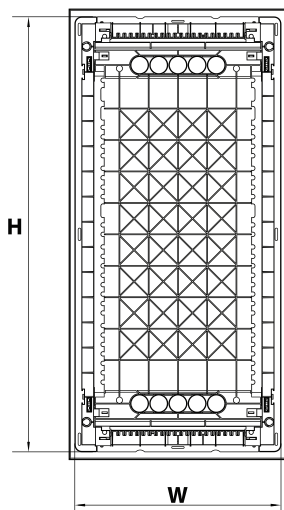
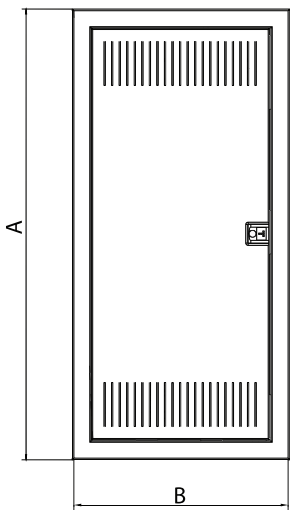
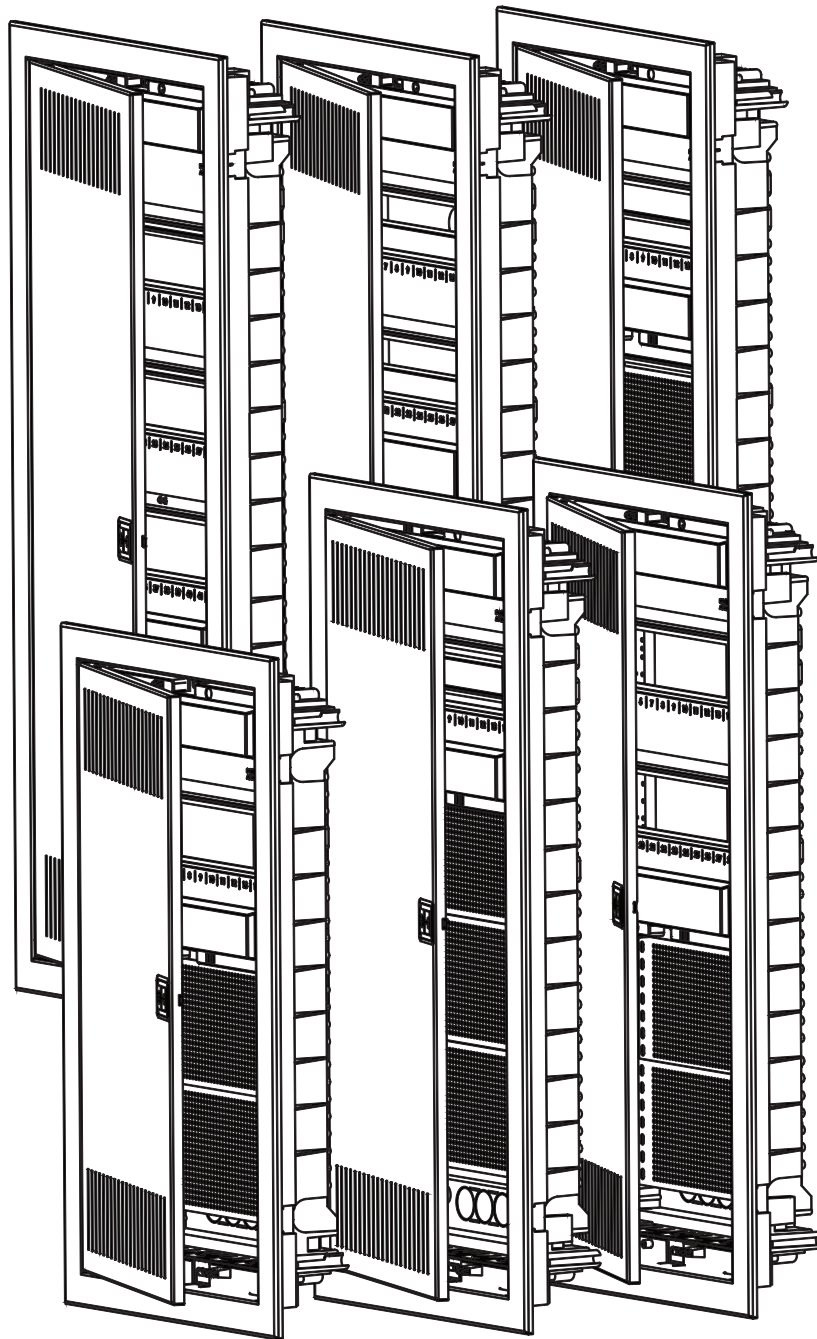


click



*optional





	A	B	C	H	W
ECG42COMBO2/H	592 mm	346 mm	92 mm	549 mm	306 mm
ECG56COMBO3/H	717 mm	346 mm	92 mm	673 mm	306 mm
ECG56COMBO2/2-I	717 mm	346 mm	92 mm	673 mm	306 mm
ECG70HCOMBO4/H	842 mm	346 mm	92 mm	799 mm	306 mm
ECG70HCOMBO3/2-I	842 mm	346 mm	92 mm	799 mm	306 mm
ECG70HCOMBO2/3-I	842 mm	346 mm	92 mm	799 mm	306 mm

	ECG42COMBO2/H	ECG56COMBO3/H	ECG56COMBO2/2-I
No. of modules	12 + 2	12 + 2	24 + 4
PE, N terminal	2 x 10	2 x 10	2 x 13

	ECG70HCOMBO4/H	ECG70HCOMBO3/2-I	ECG70HCOMBO2/3-I
No. of modules	12 + 2	24 + 4	36 + 6
PE, N terminal	2 x 10	2 x 13	2 x 15

For indoor locations (S 50% RH at max. +40°C or for example 90% RH at +20°C)
 Temperature range: -25°C ... +60°C. Rating Voltage: AC400V; IP30, IK08
 According to: IEC 60670; IEC 62208