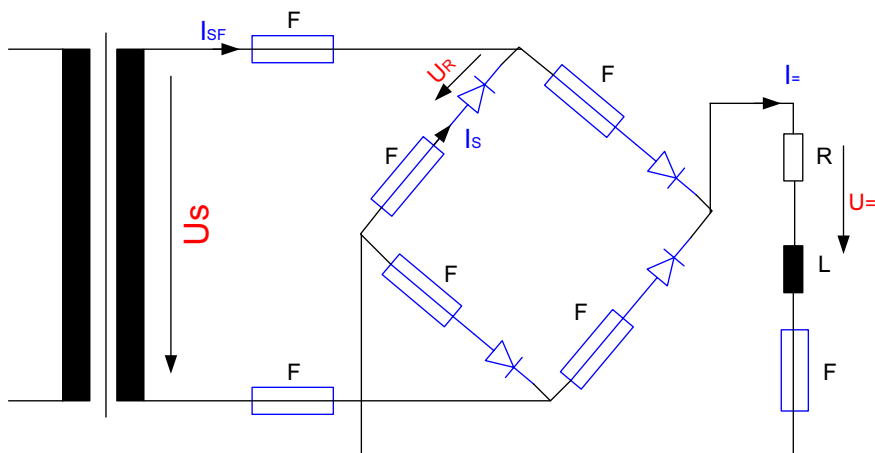


Przykład Nr. 2:

Mamy **mostek 1-FAZOWY** w układzie jak poniżej:



$I_S = 150A$, obciążenie ciągle/12 zatrzymań i startów na dzień

$U_+ = 250V$ DC

I^2t (diody) = $100.000A^2s$

Moc transformatora = 100kVA

Impedancja transformatora = 2%

$L/R = 40ms$

$R = 0,01$ Ohm

$\cos \varphi = 0,5$

$T_{otocz.} = 60^\circ C$

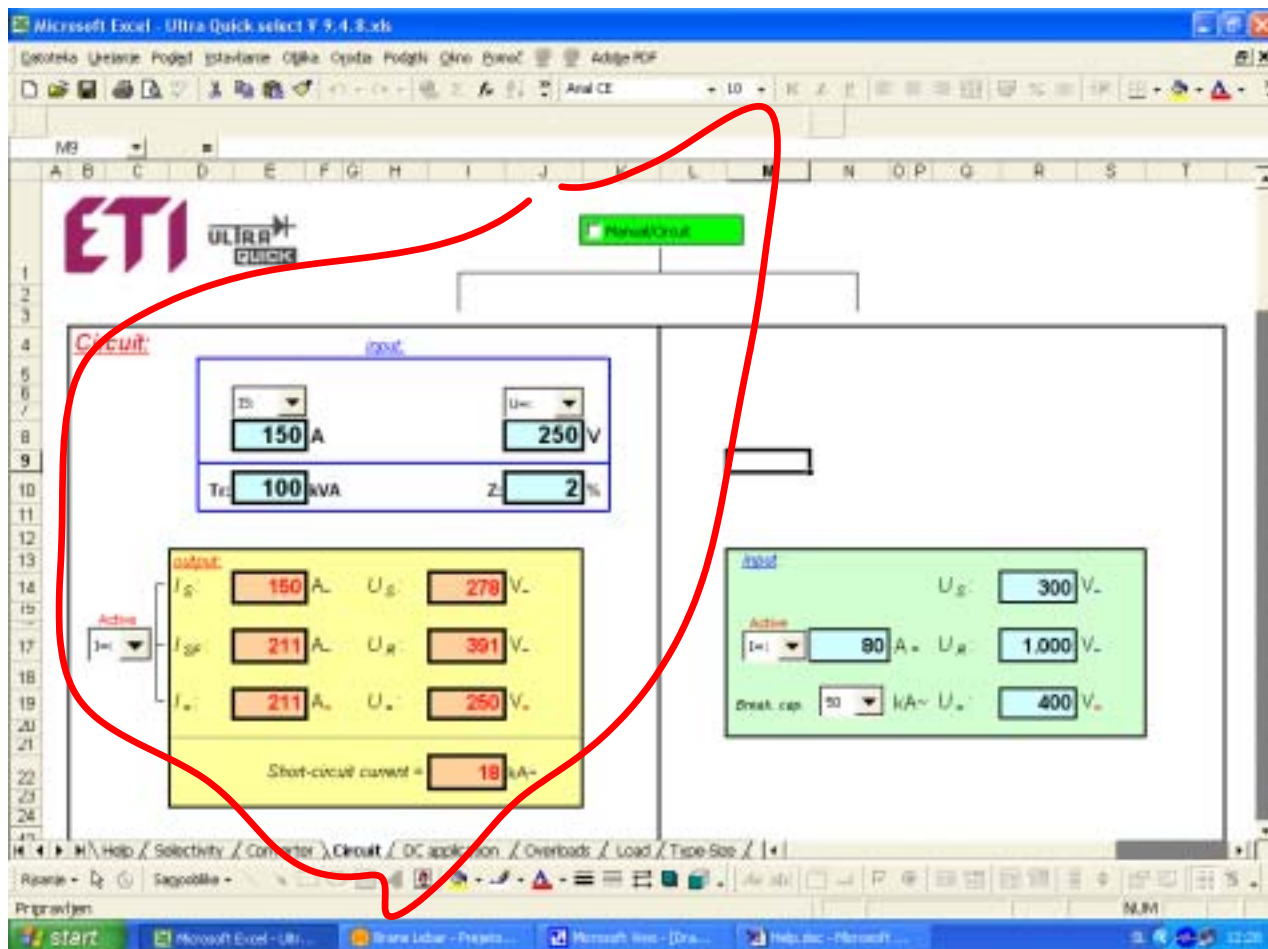
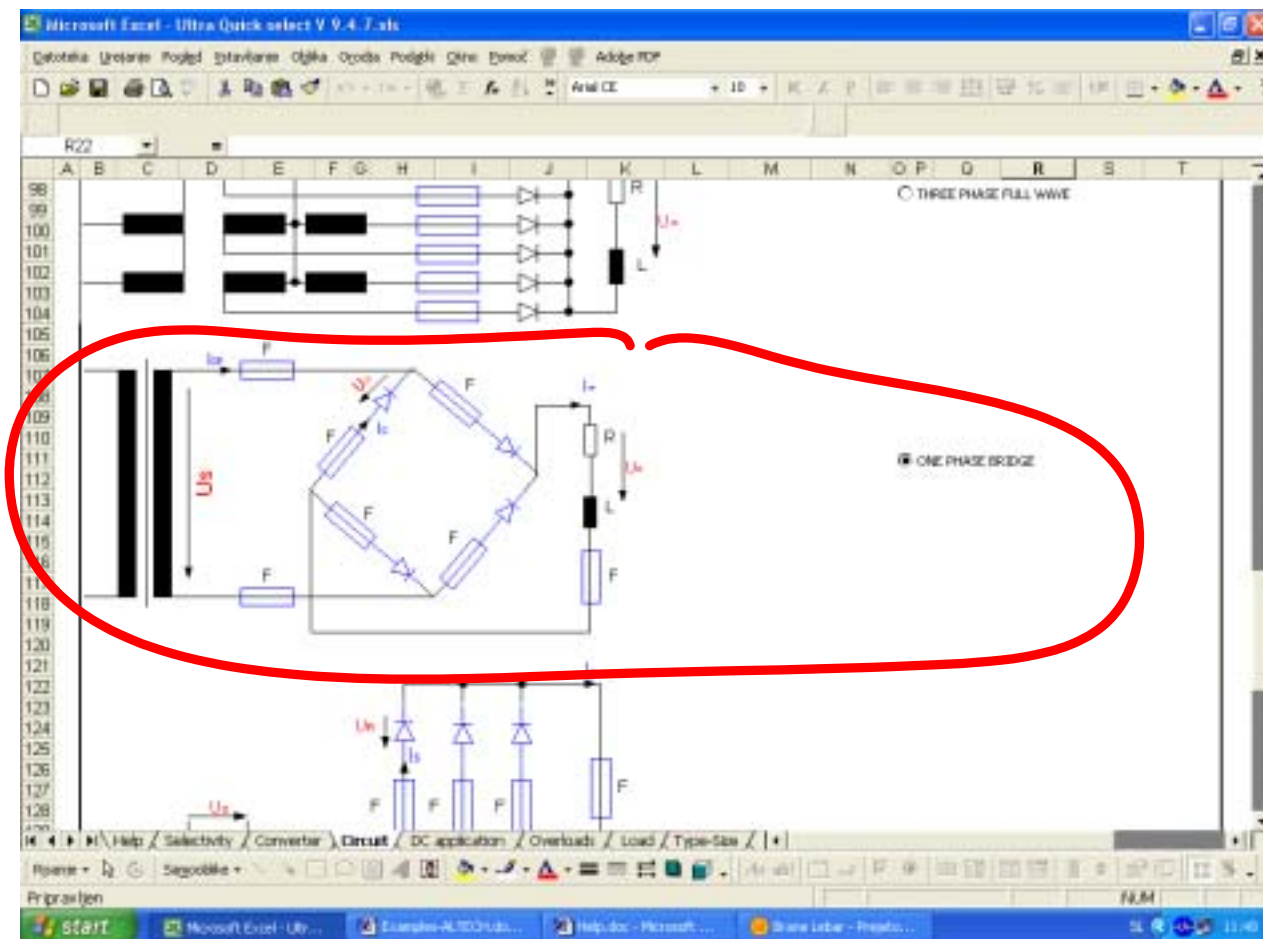
Przepływ powietrza = 0m/s

Przekrój przewodów = $150mm^2$

Częstotliwość = 50Hz

Typ- wielkość = M1 ???

1. Wybrać właściwy bezpiecznik w obwodzie DC w gałęzi $I = ?$



Microsoft Excel - Ultra Quick select V 9.4.3.xls

Debitela Upravljanje Podjetj Stpovalnje Odbila Opcije Podglji Oline BazaC Adilga PDF

D12 = 0,01

ETI ULTRA QUICK

Type of equipment	Typical I/R, ms
Battery supply, capacitor bank	<10
Bridge circuit	<25
DC motor starters	25-60
DC traction systems	40-100
DC motor field	1000

Load: L/R: 40 ms
R: 0,010 Ω

U_n: 250 V

U_n ≤: 300 V

S short circuit current: 25 kA_c

MT characteristics (catalogue page 46-77)

M1-1200V, 1200V B5-240V (CH,AC)S02-690V
 M1-500V, 690V B5(-,700A)-690V AC210-690V
 D-900V B2(-,300A)-690V CH10-600V
 C0-900V (CH,AC)S11+690V

Help / Selectivity / Converter / Circuit / DC application / Overbach / Load / Type-Size /

Microsoft Excel - Ultra Quick select V 9.4.7.xls

Debitela Upravljanje Podjetj Stpovalnje Odbila Opcije Podglji Oline BazaC Adilga PDF

H4 =

ETI ULTRA QUICK

Continuous load
Up to 12 steps per dir

Number of overloads N: 2000

MT characteristics (catalogue page 46-77)

I ₁ : [] A - t ₁ : [] min	I _{melt} : [] A	I ₁ <: [] 0
I ₂ : [] A - t ₂ : [] min	I _{melt} : [] A	I ₂ <: [] 0
I ₃ : [] A - t ₃ : [] min	I _{melt} : [] A	I ₃ <: [] 0
I ₄ : [] A - t ₄ : [] min	I _{melt} : [] A	I ₄ <: [] 0
I ₅ : [] A - t ₅ : [] min	I _{melt} : [] A	I ₅ <: [] 0
I ₆ : [] A - t ₆ : [] min	I _{melt} : [] A	I ₆ <: [] 0
I ₇ : [] A - t ₇ : [] min	I _{melt} : [] A	I ₇ <: [] 0

Help / Selectivity / Converter / Circuit / DC application / Overbach / Load / Type-Size /

Microsoft Excel - Ultra Quick select V 9.4.8.xls

Detetela Unarwa Pogled Ustavljawa Objlka Opcija Podglki Glava Bomoč Adobe PDF

Arul CE 10

002

25	A	B	C	D	E	F	G	H	I	J	K	L	M	N	O	P
26	[Technical drawings of various circuit components]															
37	NV-NH - 500V/690V/1000V/1200V															
38	[Product images and selection options]															
39	[Product images and selection options]															
40	[Product images and selection options]															
41	[Product images and selection options]															
42	[Product images and selection options]															
43	[Product images and selection options]															
44	[Product images and selection options]															
45	[Product images and selection options]															
46	[Product images and selection options]															
47	[Product images and selection options]															
48	[Product images and selection options]															
49	[Product images and selection options]															
50	[Product images and selection options]															
51	[Product images and selection options]															
52	[Product images and selection options]															
53	[Product images and selection options]															

H / H / Help / Selectivity / Converter / Circuit / DC application / Overloads / Load / Type-Size / |

Praviljen

start Microsoft Excel - Ultr... Brane Lobb - Prede... Microsoft Vis - [Dra... Help.doc - Microsoft ...

Microsoft Excel - Ultra Quick select V 9.4.8.xls

Detetela Unarwa Pogled Ustavljawa Objlka Opcija Podglki Glava Bomoč Adobe PDF

Arul CE 10

011

ETI ULTRA+ PLUS

Select characteristics

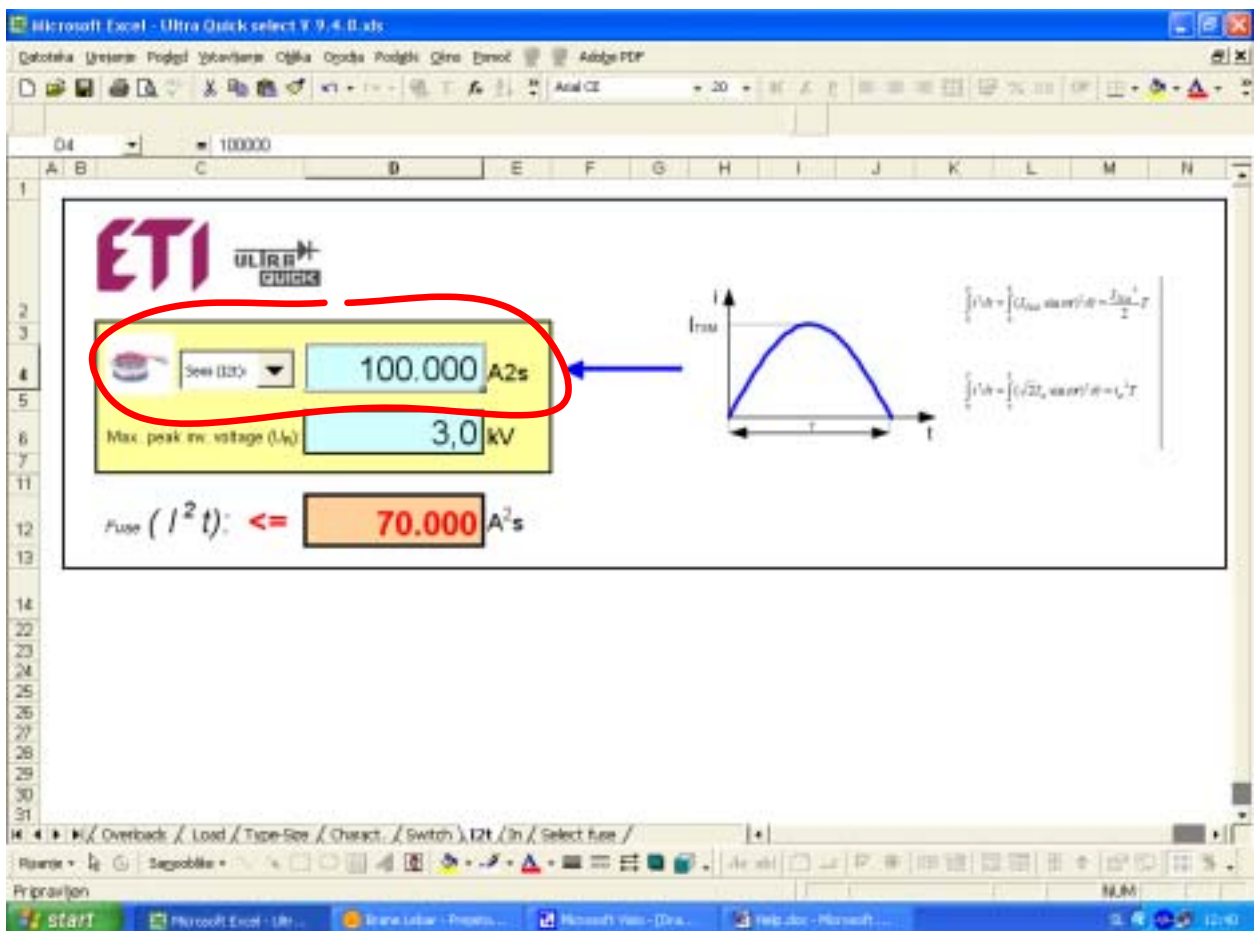
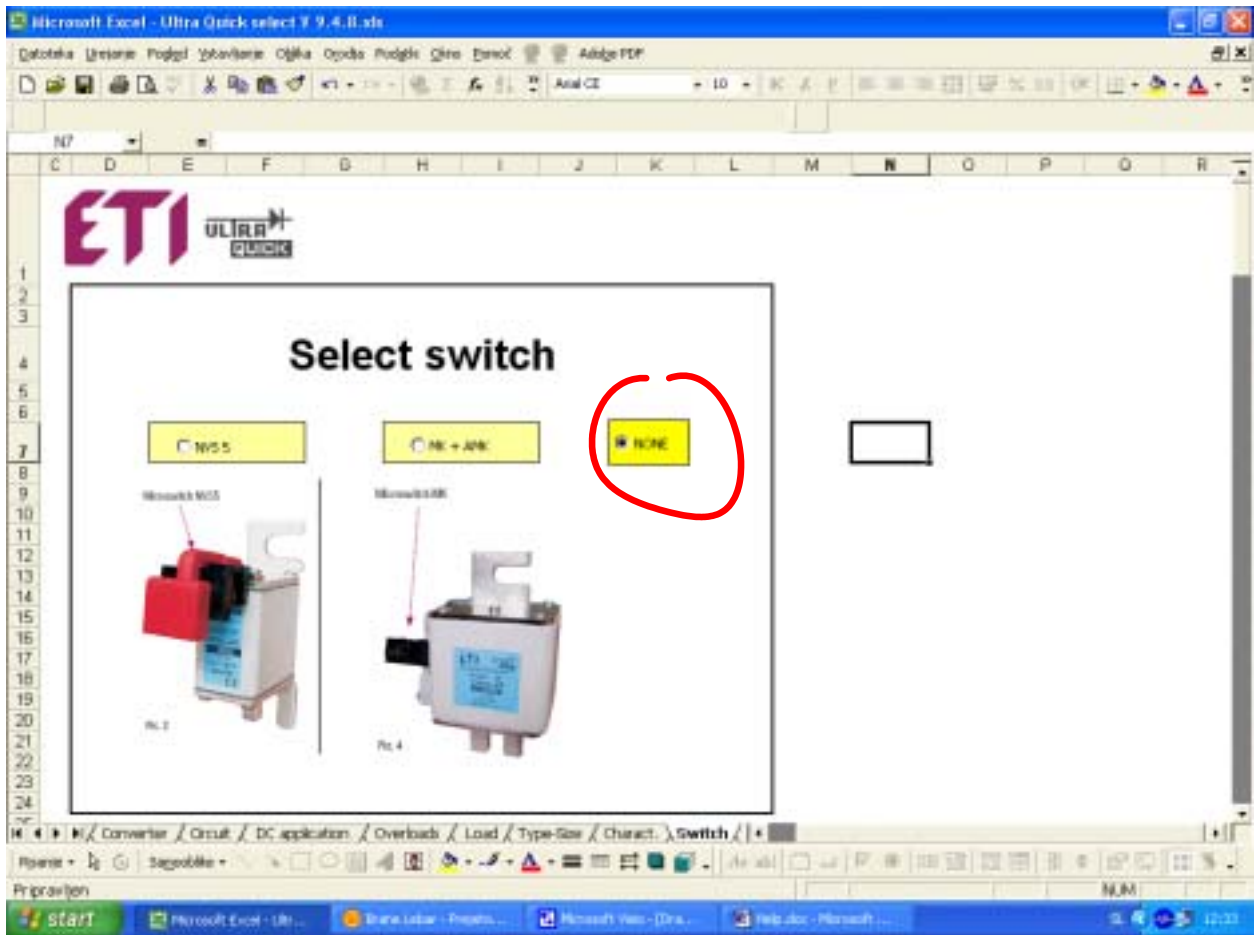
GR (L, kA)
 GR (L, kA)
 NONE

1
2
3
4
5
6
7
8
9
10
11
12
13
14
15
16
17
18
19
20
21
22
23
24

H / H / Converter / Circuit / DC application / Overloads / Load / Type-Size / Charact. / Switch / |

Praviljen

start Microsoft Excel - Ultr... Brane Lobb - Prede... Microsoft Vis - [Dra... Help.doc - Microsoft ...



Microsoft Excel - Ultra Quick select T 9.4.B.xls

Datoteka Upravljanje Pogledi Znakovi Ojka Opcije Podglji Gledanje Dovoljenje Dodaj PDF

Anal.CE + 10

P24

ETI ULTRAB QUICK

U_R : 391 V
 U_s : 278 V
 I : 214 A
 $\cos\phi$: 0,50
 T_{amb} : 60 °C
 Forced cooling: 0 m/s
 Cable cross-section: 150 mm²
 f : 50 Hz

$I_n \geq$: 324 A =

Default / DC application / Overloads / Load / Type-Size / Charact. / Switch (I2t, In / Se)

Prpravljeno

Microsoft Excel - Ultra Quick select T 9.4.B.xls

Microsoft Excel - Ultra Quick select T 9.4.B.xls

Datoteka Upravljanje Pogledi Znakovi Ojka Opcije Podglji Gledanje Dovoljenje Dodaj PDF

Anal.CE + 10

A11

ETI ULTRAB QUICK

Select your fuse-link

Show all

Circuit: U : 324 V, I : 214 A, $I^2 t$: 78.000 A²s, I_{30} : 324 A

Filter:

ETI code	ETI type	U (V)	I (A)	Series	Type	Size	I ² t (A ² s)	I ₃₀ (A)	P _g (W)	B.c. (kA)	Char.	Switch	Page	I ² t (A ² s)	I ₃₀ (A)
004743222	M1U002/050A580V	690	350	U002	M	1	54.000	11.000	69	200	aR	1N/55	new	18.144	324

Overloads / Load / Type-Size / Charact. / Switch (I2t, In) Select fuse /

Filtrirani način

Microsoft Excel - Ultra Quick select T 9.4.B.xls