

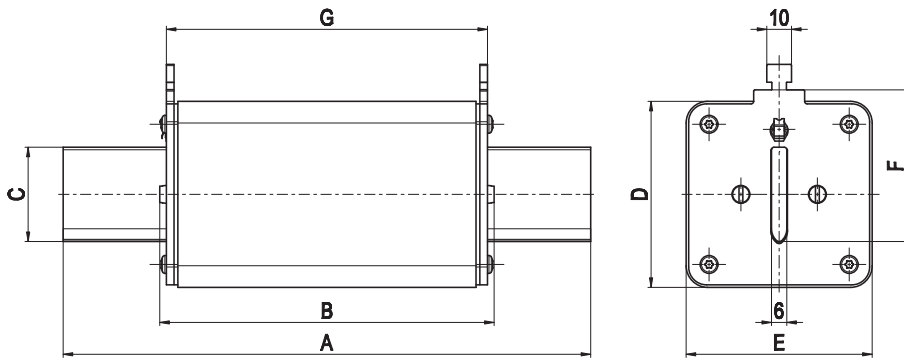
NHXL battery fuse link 1500V d.c.

General characteristics	
Rated voltage	1500V d.c. (L/R=3ms)
Breaking capacity	30kA d.c.
Standard	IEC60269-7
Application	Fuse link for DC application. Applied in fuse base PK XL 1500V.

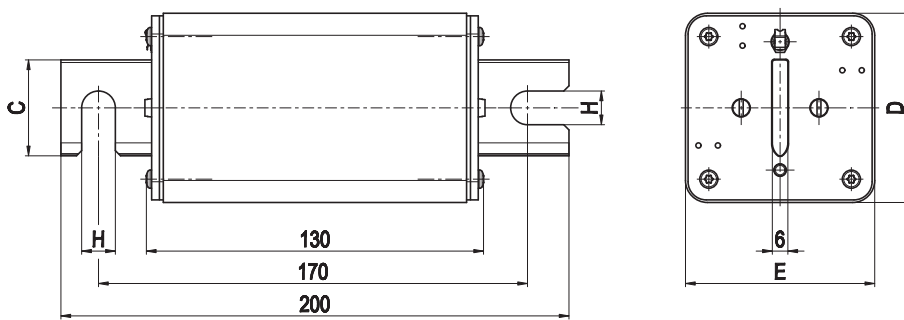
NH gBAT fuse link										
Size	I_n	Standard indicator	S_{170} screw contact	U_{170} screw contact	Power dissipation	Power dissipation $0,7 \times I_n$	Pre-arcing Joule integral	Operating Joule integral	Weight	Pack.
	[A]	pic. 1	pic. 2	pic. 3	[W]	[W]	[A ² s]	[A ² s]	[g]	[pcs]
1XL	50	004110650	004110657	004110664	14	6	800	3500	950	1/15
	63	004110651	004110658	004110665	14	6,2	1.500	6.000		
	80	004110652	004110659	004110666	16	7	5.000	15.000		
	100	004110653	004110660	004110667	19	8,3	10.000	26.000		
	125	004110654	004110661	004110668	22	9,7	15.000	37.000		
	160	004110655	004110662	004110669	30	13,2	19.000	48.000		
2XL	200	004110656	004110663	004110670	32,5	13,7	22.000	75.000	1350	1/9
	200	004110671	004110673	004110675	36	15,9	42.000	75.000		
3L	250	004110672	004110674	004110676	44	19,3	73.000	132.000	1970	1/9
	315	004110677	004110682	004110687	57	22,2	65.000	300.000		
	350	004110678	004110683	004110688	61	23,7	75.000	350.000		
	400	004110679	004110684	004110689	67	26,8	85.000	450.000		
	450	004110680	004110685	004110690	75	29	130.000	600.000		
	500	004110681	004110686	004110691	79	44,3	160.000	700.000		



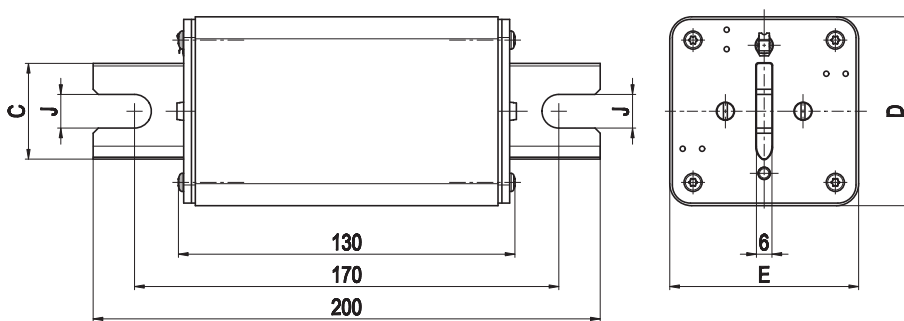
Picture 1



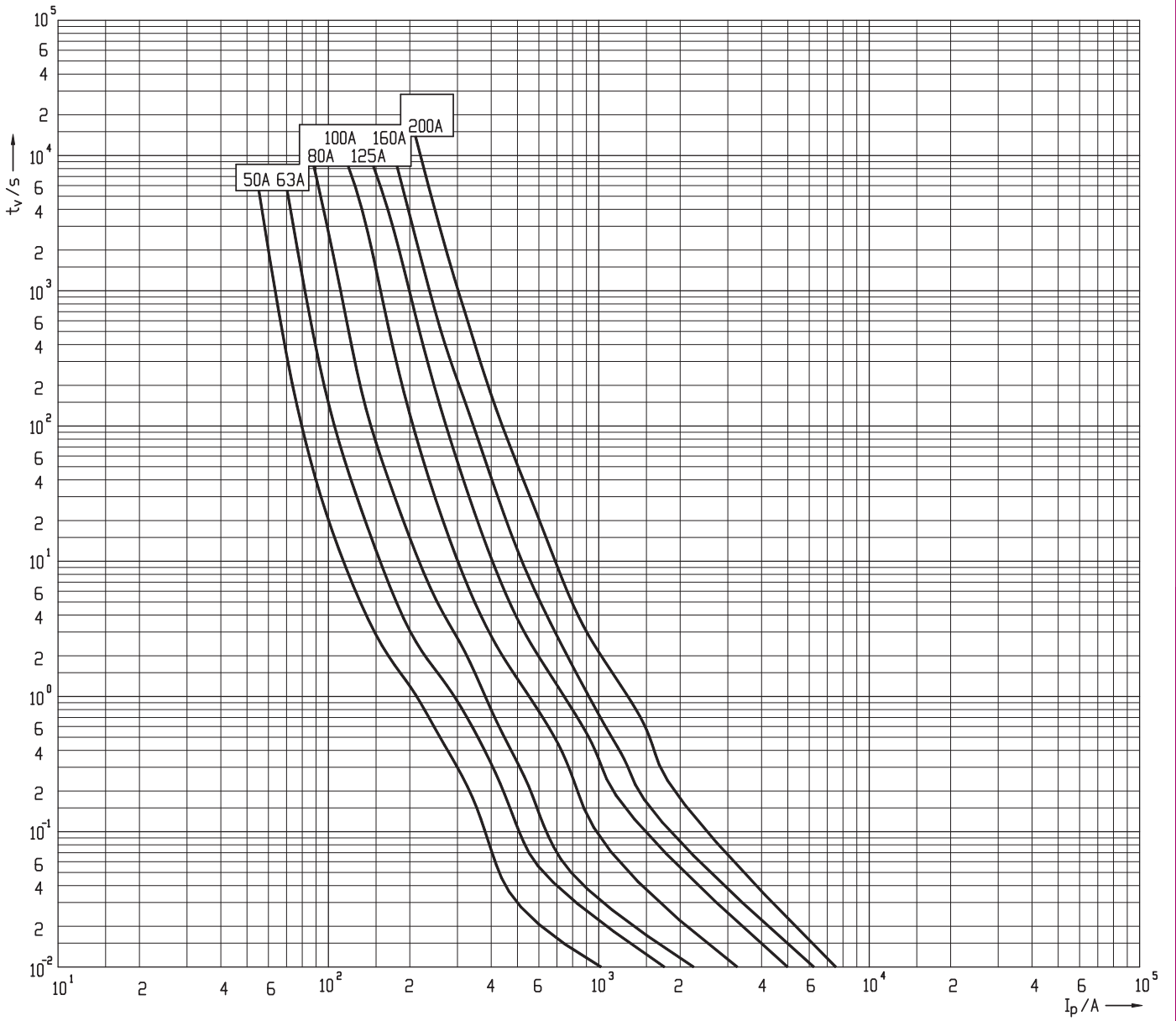
Picture 2



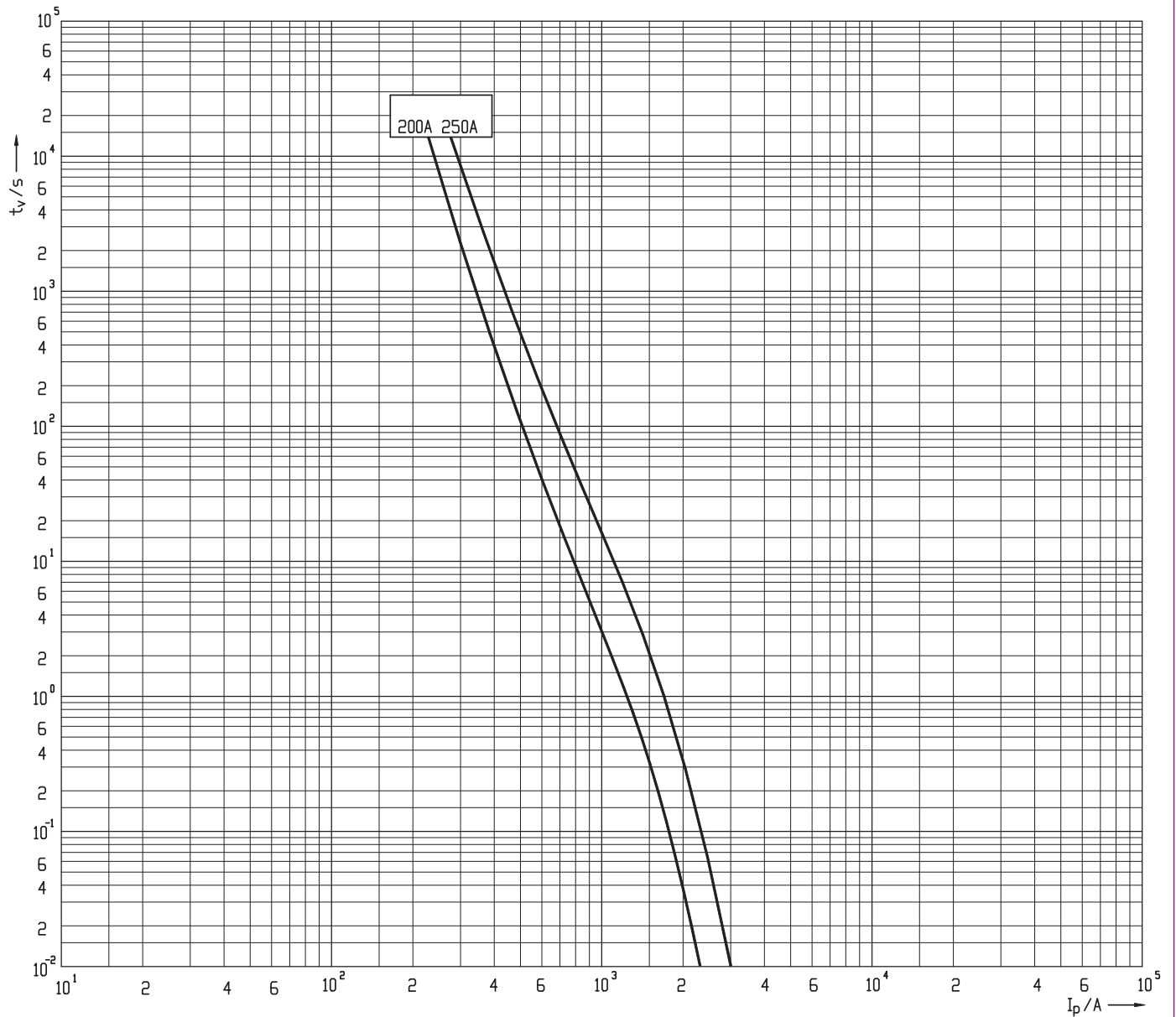
Picture 3



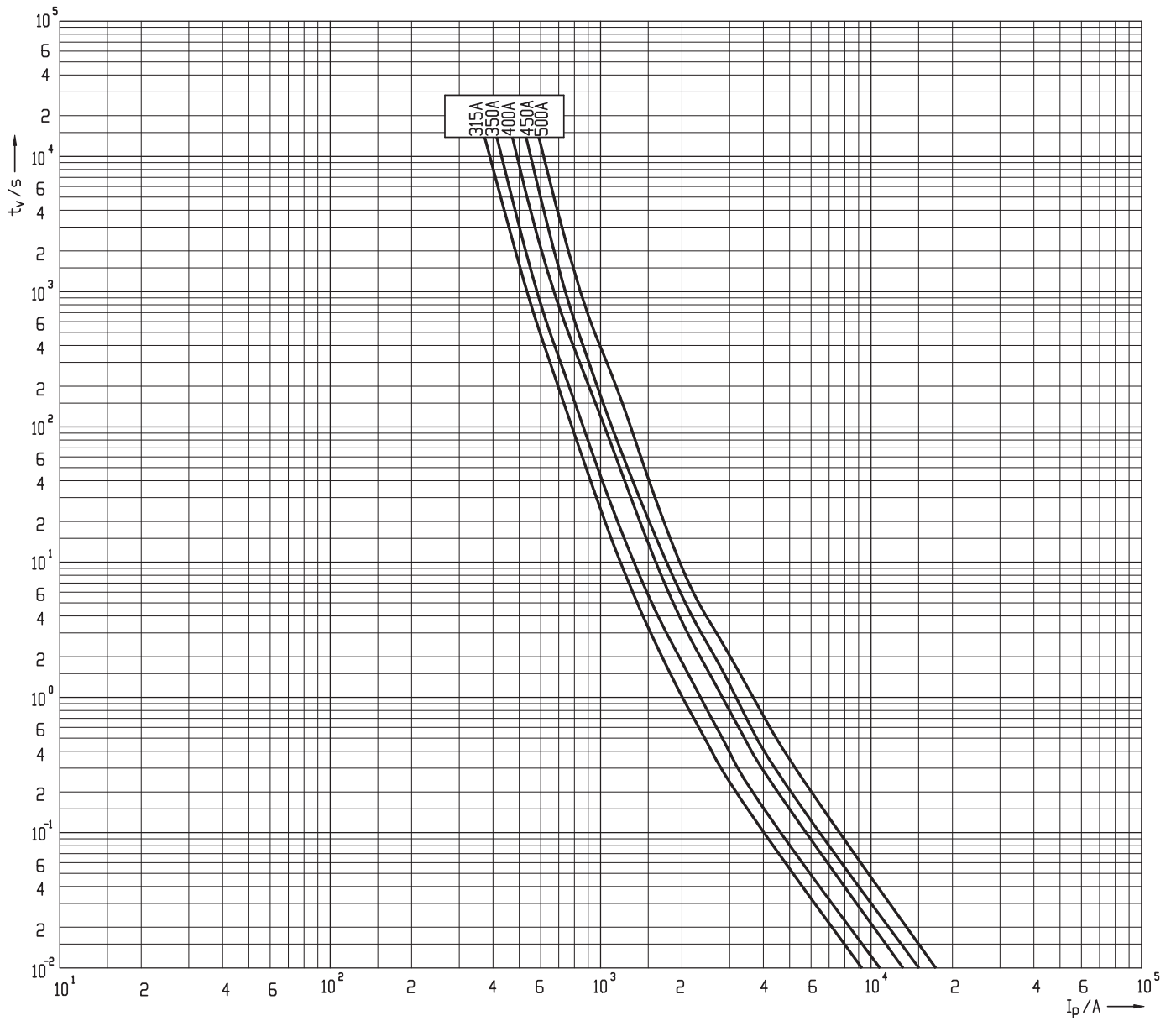
Size	A	B	C	D	E	F	G	H	J
1XL	192	131	24	51	51	43,5	125	11	11
2XL	208	130	30	60	60	48	126	11	13
3L	208	130	37	73	73	60	126	11	13



t-I characteristics NH 1XL



t-I characteristics NH 2XL



t-I characteristics NH 3L

